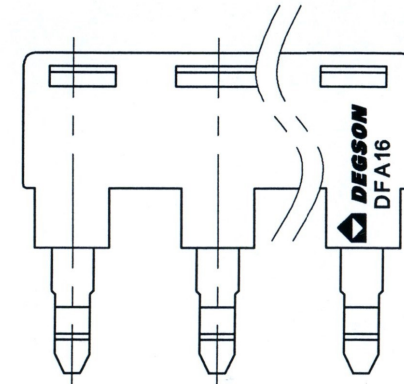
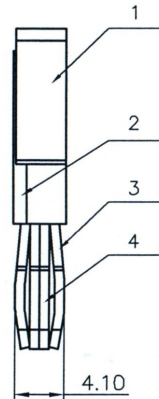
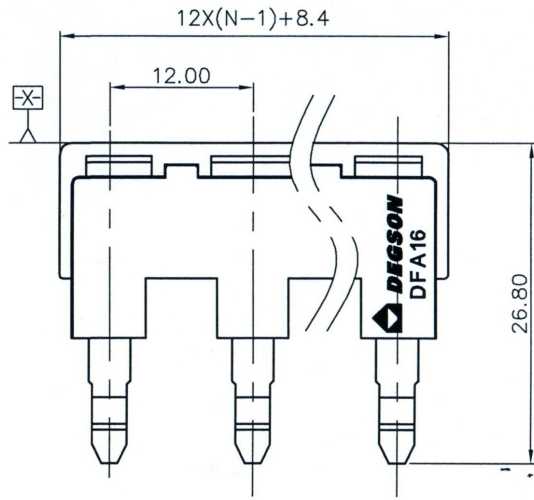
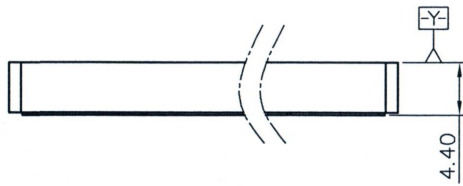


REVISION RECORD				
REV	ECN	DESCRIPTION	DRFT	DATE

仅供参考图
 签字: 蓝炎
 日期: 2016.10.31



NOTES:

- 1.Dimension shall be interpreted per ASME Y14.5-2009
- 2.Pitch : 12.0mm, Poles : N=02&03P
- 3.Operating temperature: -40°C~+105°C
- 4.Undimensioned tolerances:

Pitch range in mm		Nominal dimension range in mm				—	∩	∇
TO	Over	TO	Over	TO	Over	0.1/10	<	
6	10	6	10	30	60	±0.15	±0.20	
10	24	10	30	60	100	±0.30	±0.30	
24		30	60	100	150	±0.50	±0.70	
		60	100	150		±1.00	±1.30	
						±2*		

5.RoHS Compliance

ITEM	NAME OF PART	MATERIAL	NOTES
4	CURRENT CARRIER 2	COPPER ALLOY	Sn plated
3	CURRENT CARRIER 1	COPPER ALLOY	Sn plated
2	COVER	PA66	UL94V-0
1	HOUSING	PA66	UL94V-0

DETACHED LISTS	PART NO.:		宁波高松电子有限公司 NINGBO DEGSON ELECTRICAL CO., LTD	
	APPD: <i>Am 10/21/16</i>		NAME: DFA16-XXP-1Y-00A(H)	
	CHKD: <i>ZTK 10/31/16</i>		TITLE: CUSTOMER DRAWING	
	DRFT: Ding 07/18/16		REV	D0-1
	THIRD ANGLE PROJECTION		DRAWING NO.:	DFA16-C01
MM (INCH)		SHEET	1/1	
		DO NOT SCALE DRAWING	SCALE	1:1