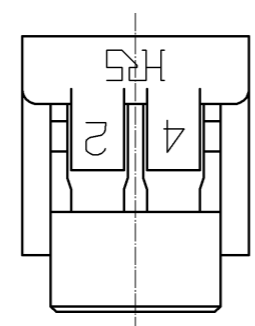
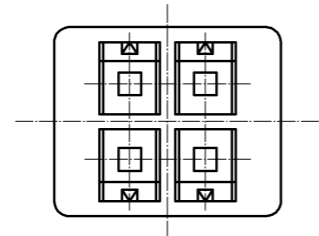
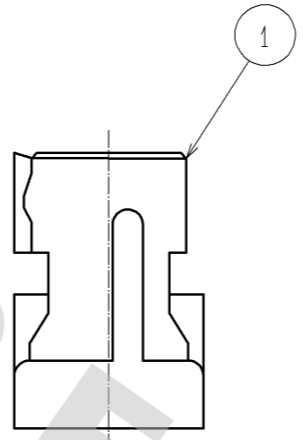
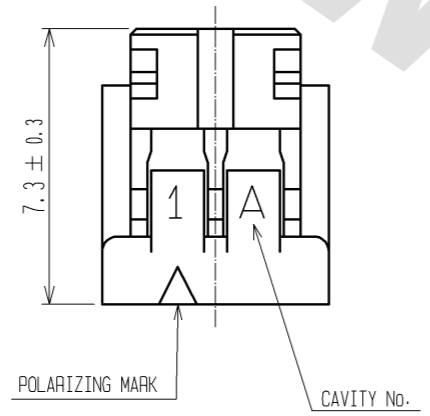
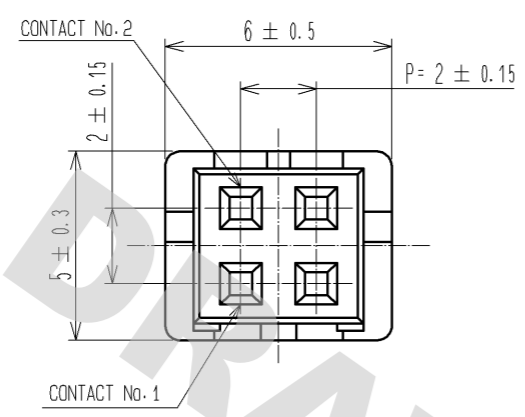


DRAWING FOR REFERENCE: This is subject to change without notice  
08/11/2012



NOTE 1. 1 PACK : 100 CONNECTORS.

NO.		MATERIAL		FINISH . REMARKS		1		POLYAMIDE		BLACK, UL94V-0			
UNITS		SCALE		COUNT		DESCRIPTION OF REVISIONS		DESIGNED		CHECKED		DATE	
mm		5 : 1		△									
<b>HIROSE ELECTRIC CO., LTD.</b>		APPROVED : TS. SAKATA		08.10.16		DRAWING NO.		EDC3-080370-01					
		CHECKED : TS. KUMAZAWA		08.10.16		PART NO.		DF11-4DS-2C					
		DESIGNED : KT. ISHII		08.10.09		CODE NO.		CL543-0568-6-00					
		DRAWN : KT. ISHII		08.10.09									
												△ 1/1	