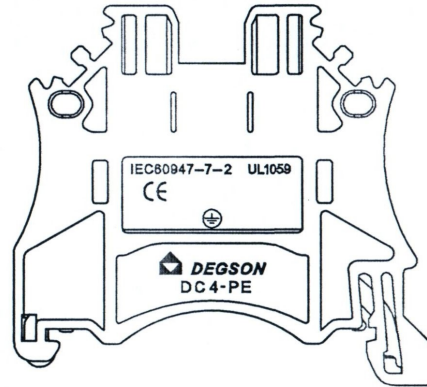
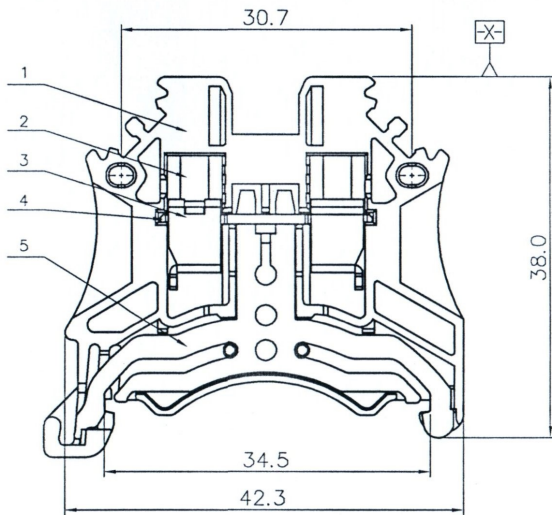
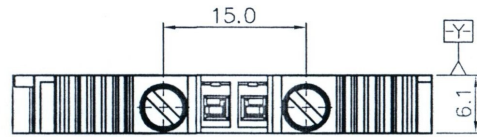


REVISION RECORD				
REV	ECN	DESCRIPTION	DRFT	DATE



NOTES1:

UL Standard

- 1.Torque value : M3 , 6.0Lb.in
- 2.Wire range : 22~10AWG

IEC Standard

1.	Pollution degree	3
	Overvoltage category	III
	Rate impulse voltage(KV)	/
	Rate voltage(V)	/ V
	Rate current(A)	/ A

- 2.Torque value : M3 , 0.5N·m
- 3.Wire range : 0.5~4mm²

NOTES2:

- 1.Dimension shall be interpreted per ASME Y14.5-2009
- 2.Stripping length : 8~9mm
- 3.Operating temperature: -40°C~+105°C
- 4.Undimensioned tolerances:

Pitch Range In mm	Nominal Dimension Range In mm							0.1/10
	Over 6 TO 10	Over 10 TO 24	Over 30 TO 30	Over 60 TO 60	Over 100 TO 150	Over 150		
±0.15	±0.20	±0.30	±0.30	±0.50	±0.70	±1.00	±1.30	±2*

5.RoHS Compliance

仅供参考图
 签字: *[Signature]*
 2016.07.14

5	CURRENT CONTACT	COPPER ALLOY	Sn PLATED
4	CURRENT CARRIER	COPPER	Sn PLATED
3	CAGE	STEEL	M3/Zn PLATED
2	SCREW	STEEL	M3/Zn PLATED
1	HOUSING	PA66	UL94V-0
ITEM	NAME OF PART	MATERIAL	NOTES

PART NO.:	/		
APPD:	Alan 07/14/16"		
CHKD:			
DRFT:	XMY 10/28/15"		
DEGSON	NINGBO DEGSON ELECTRICAL CO., LTD		
NAME:	DC4-PE-01P-1C-00A(H)		
TITLE:	CUSTOMER DRAWING	REV	D0-1
DRAWING NO.:	DC4-PE-C01	SHEET	1/1
THIRD ANGLE PROJECTION	MM (INCH)	DO NOT SCALE DRAWING	SCALE 1:1

H
G
F
E
D
C
B
A

H
G
F
E
D
C
B
A