

REVISION RECORD				
REV	ECN	DESCRIPTION	DRFT	DATE

NOTES1:

UL Standard

1. Rated voltage/current : 600V / 150A
2. Withstanding voltage : AC2200V/1Min.
3. Torque value : M6 , 31Lb.in
4. Wire range : 14~1/0AWG

IEC Standard

1. Pollution degree	3
Overvoltage category	III
Rate impulse voltage(KV)	8.0KV
Rate voltage(V)	1000V
Rate current(A)	125A

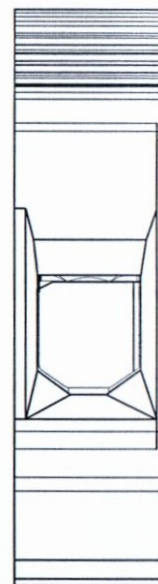
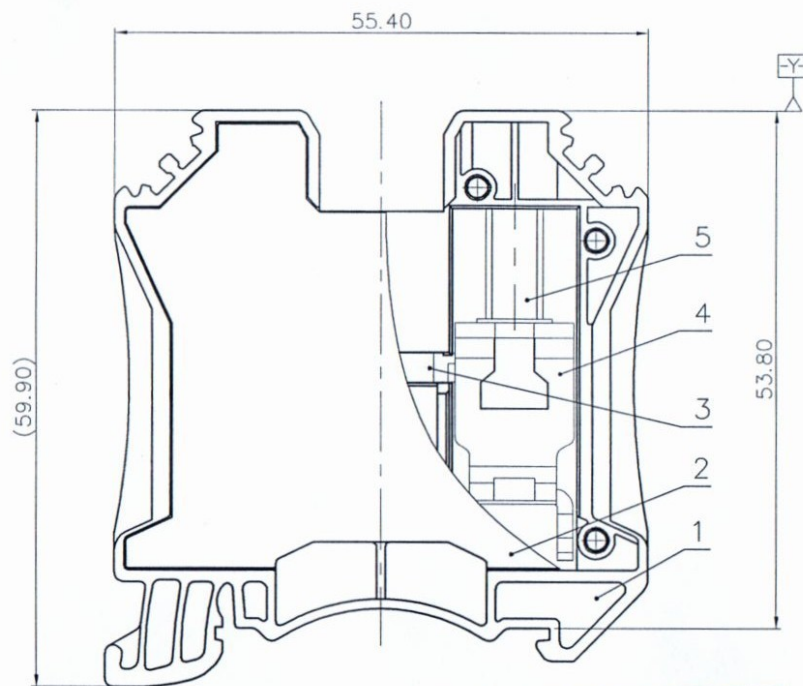
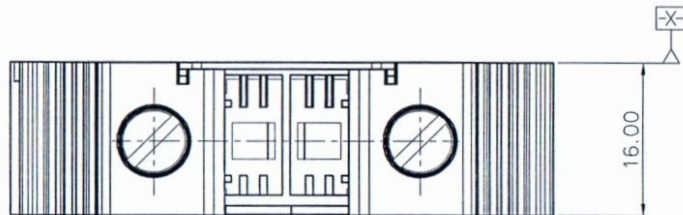
2. Torque value : M6 , 3.5N·m
3. Wire range : 1.5~50mm²

NOTES2:

1. Dimension shall be interpreted per ASME Y14.5-2009
2. Pitch : 16.00mm, Poles : N=01P
3. Stripping length : 14~16mm
4. Operating temperature: -40°C~+105°C
5. Undimensioned tolerances:

Pitch range in mm	Nominal dimension range in mm				- / /
	Over TO	Over TO	Over TO	Over TO	
6 TO 6	6 TO 10	10 TO 24	30 TO 60	60 TO 100	100 TO 150
±0.15	±0.20	±0.30	±0.30	±0.50	±0.70
				±1.00	±1.30
					±2'

6. RoHS Compliance



仅供参考图
 日期: 2016.07.11

5	SCREW	STEEL	M6\Zn Plated
4	WIRE CAGE	STEEL	M6\Zn Plated
3	CONDUCTOR	COPPER ALLOY	Sn Plated
2	COVER	PA66	UL94V-0
1	HOUSING	PA66	UL94V-0
ITEM	NAME OF PART	MATERIAL	NOTES

DETACHED LISTS	PART NO.: /	宁波高松电子有限公司 DEGSON® NINGBO DEGSON ELECTRICAL CO., LTD		
	APPD:	NAME: DC35-01P-1Y-00A(H)		
	CHKD: ZYK 07/11/16	TITLE: CUSTOMER DRAWING		
	DRFT: ZYK 19/05/16	DRAWING NO.: DC35-C01	REV	D0-2
	THIRD ANGLE PROJECTION	DO NOT SCALE DRAWING	SHEET	1/1
	MM (INCH)	SCALE	1:1	

H
G
F
E
D
C
B
A