

REVISION RECORD				
REV	ECN	DESCRIPTION	DRFT	DATE

NOTES1:

UL Standard

1. Rated Voltage/Current : 600V / 60A
2. Withstanding Voltage : AC2200V/1Min.
3. Torque Value : M4 , 10.53Lb.in
4. Wire Range : 20~6AWG

IEC Standard

1.

Pollution Degree	3
Overvoltage Category	III
Rate Impulse Voltage(KV)	8.0KV
Rate Voltage(V)	1000V
Rate Current(A)	57A
2. Torque Value : M4 , 1.2N.m
3. Wire Range : 0.5~10mm²

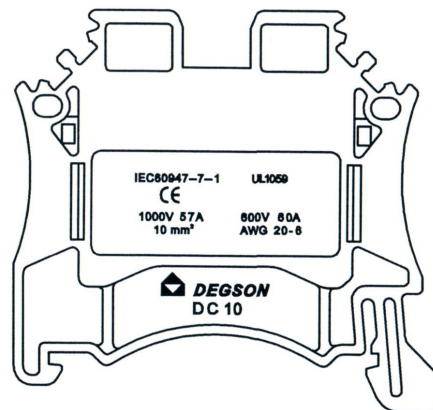
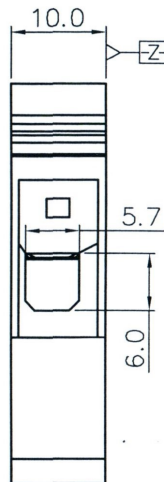
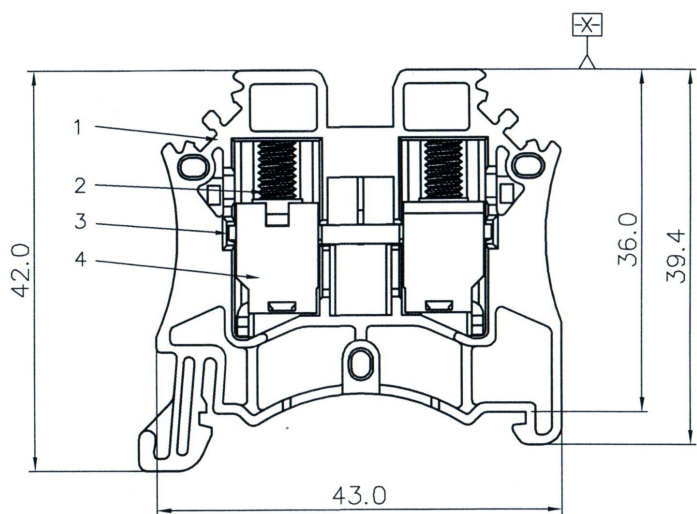
NOTES2:

1. Dimension shall be interpreted per ASME Y14.5-2009
2. Pitch : 10.0mm, Poles : 01P
3. Stripping length : 11-12mm
4. Operating temperature: -40°C~+105°C
5. Undimensioned Tolerances:

Pitch Range In mm	Nominal Dimension Range In mm							□	◇
	Over 6 TO 10	Over 10 TO 24	Over 30 TO 60	Over 60 TO 100	Over 100 TO 150	Over 150	0.1/10		
±0.15	±0.20	±0.30	±0.30	±0.50	±0.70	±1.00	±1.30	±2'	

6. RoHS Compliance

仅供参考图
 签字: *蓝贵A*
 日期: 2015.11.18



ITEM	NAME OF PART	Q'TY	MATERIAL	NOTES
4	GAGE	2	STEEL	M4/Zn PLATED
3	CURRENT CARRIER	1	COPPER ALLOY	Sn PLATED
2	SCREW	2	STEEL	M4/Zn PLATED
1	HOUSING	1	PA66	UL94V-0

DETACHED LISTS	PART NO.:	/			
	APPD:	2015/11/18/15			
	CHKD:	D. Ding 2015.11.18			
	DRFT:	ding 2015/10/29			
THIRD ANGLE PROJECTION				宁波高松电子有限公司 DEGSON ® NINGBO DEGSON ELECTRICAL CO., LTD NAME: DC10-01P-1Y-00A(H)	
TITLE: CUSTOMER DRAWING		REV	D0-1		
DRAWING NO.: DC10-C01		SHEET	1/1		
DO NOT SCALE DRAWING		SCALE	1:1		