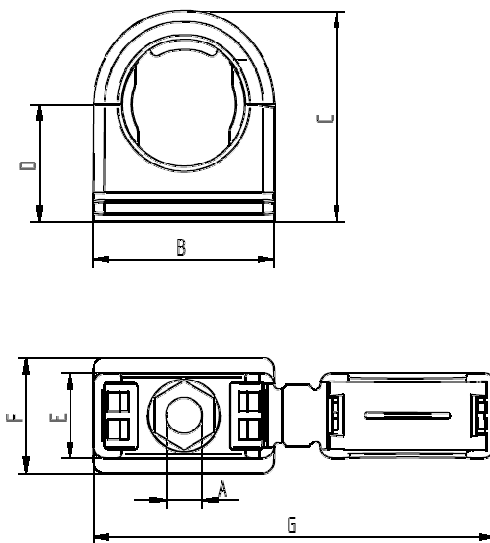


DATA SHEET	55506905
SILVYN® FCL	valid from : 01.03.2005

SILVYN® FCL is a polyamide conduit clip for corrugated flexible conduit with integrated lid. Internal ribs prevent conduit pulling through.



Dimensions table:

Part. No.	Type	A mm	B mm	C mm	D mm	E mm	F mm	G mm	suitable for SILVYN FPAS
5550 6905	10	5,0	22,7	26,4	15,2	12,0	20,0	51,5	10
5550 6915	13	5,0	22,7	26,4	15,2	12,0	20,0	51,5	13
5550 6925	16	5,2	26,4	29,8	16,5	12,0	20,0	58,9	16
5550 6935	21	6,2	31,8	36,5	20,4	14,8	20,0	70,4	16
5550 6945	28	6,2	40,8	44,5	24,0	14,8	20,0	88,1	18
5550 6955	34	6,2	48,0	51,5	27,2	14,8	20,0	102,6	21
5550 6965	42	6,2	57,2	6,02	31,2	14,8	20,0	120,6	28
5550 6975	54	6,2	69,7	72,7	37,2	14,8	20,0	145,2	34



DATA SHEET	55506905
SILVYN® FCL	valid from : 01.03.2005

Technical feature: temperature range: -40°C up to +135°C
colour: black RAL 9005, grey RAL 7011
material: PA 66
fire class: UL 94 V2

Characteristics: halogen free
flame retardant
low toxicity
oil and solvent resistant
UV resistant in black

Approval:



For more information please see our current catalogue.
Please do not hesitate to contact our laboratory if there any questions regarding
resistance against aggressive agents and special oil.