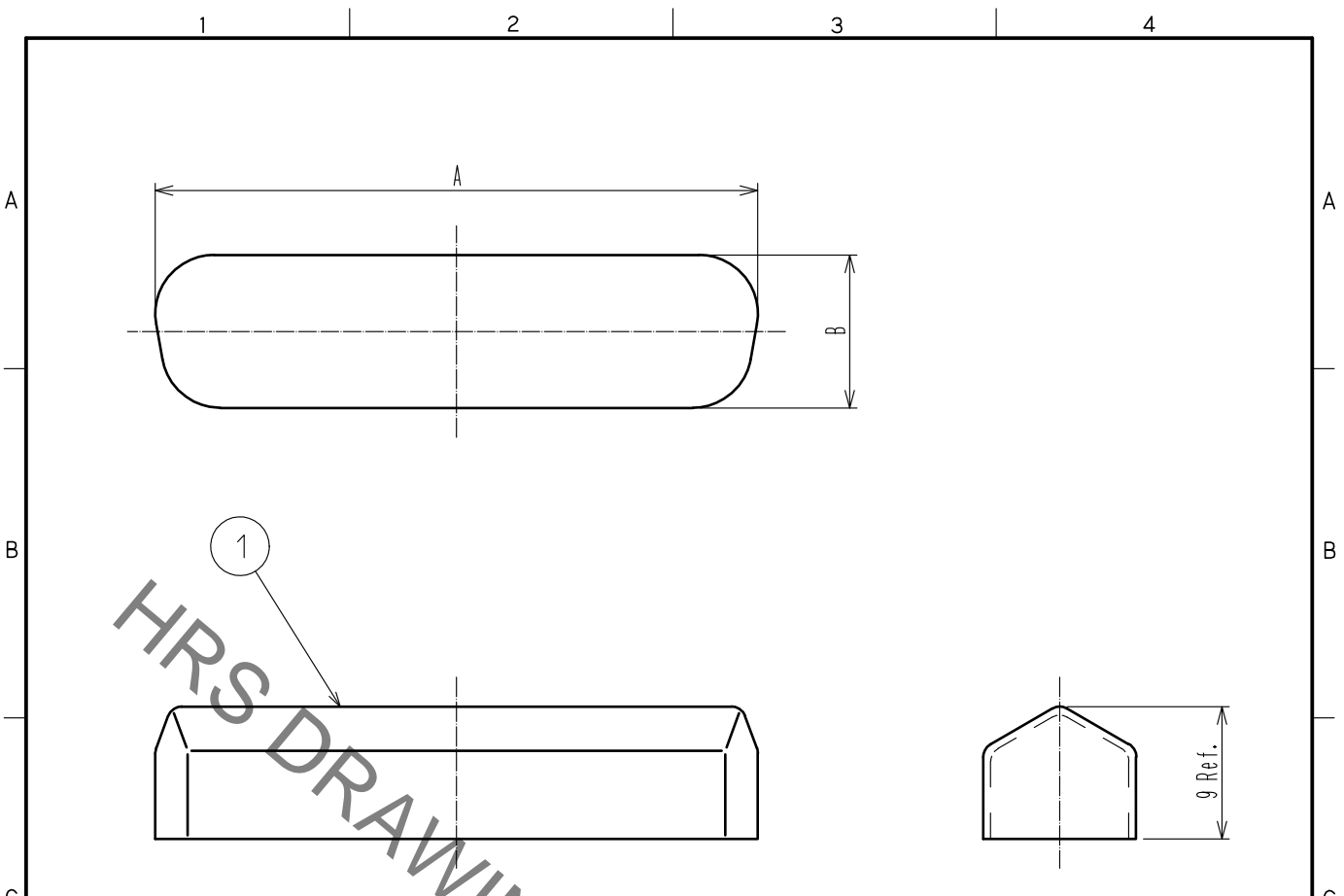


Dec.1.2022 Copyright 2022 HIROSE ELECTRIC CO., LTD. All Rights Reserved.  
 In case of consideration for using Automotive equipment / device which demand high reliability, kindly contact our sales window correspondents.



HRS DRAWING FOR REFERENCE

	CL CODE	Number of contacts	PART No.	A	B
② Male Connector	CL211-0777-7-16	9	DE-9P-DC1(16)	18.7	10.2
	CL211-0778-0-16	15	DA-15P-DC1(16)	27.0	10.2
	CL211-0779-2-16	25	DB-25P-DC1(16)	41.0	10.4
	CL211-0780-1-16	37	CD-37P-DC1(16)	57.7	10.6
	CL211-0781-4-16	50	DD-50P-DC1(16)	55.0	13.3
Female Connector	CL211-0782-7-16	9	DE-9S-DC1(16)	17.4	8.8
	CL211-0783-0-16	15	DA-15S-DC1(16)	25.6	8.8
	CL211-0784-2-16	25	DB-25S-DC1(16)	39.3	8.8
	CL211-0785-5-16	37	DC-37S-DC1(16)	55.8	8.8
	CL211-0786-8-16	50	DD-50S-DC1(16)	53.4	11.6

Note 1. Each dimension indicates reference value.  
 ② Dust cap is not available for male connector with metal peg(HD-LN).

1	PVC	UL94V-2 Blue clear			
NO.	MATERIAL	FINISH . REMARKS	NO.	MATERIAL	FINISH . REMARKS
UNITS mm		SCALE 2 : 1	COUNT 	DESCRIPTION OF REVISIONS	DESIGNED      CHECKED      DATE
HIROSE ELECTRIC CO., LTD.	APPROVED :MN. KENJO	20210401	DRAWING NO.	EDC-125353-16-00	
	CHECKED :TU. TANIGUCHI	20210401	PART NO.	D* - * - * - DC1(16)	
	DESIGNED :MO. SHIMOYAMA	20210401	CODE NO.	CL0211-	
	DRAWN :MO. SHIMOYAMA	20210401			1