

D4E225-CC01-02

AC centrifugal fan

forward curved, dual inlet



ebm-papst Mulfingen GmbH & Co. KG

Bachmühle 2

74673 Mulfingen

Phone: +49 7938 81-0

Fax: +49 7938 81-110

www.ebmpapst.com

info1@de.ebmpapst.com

Nominal data

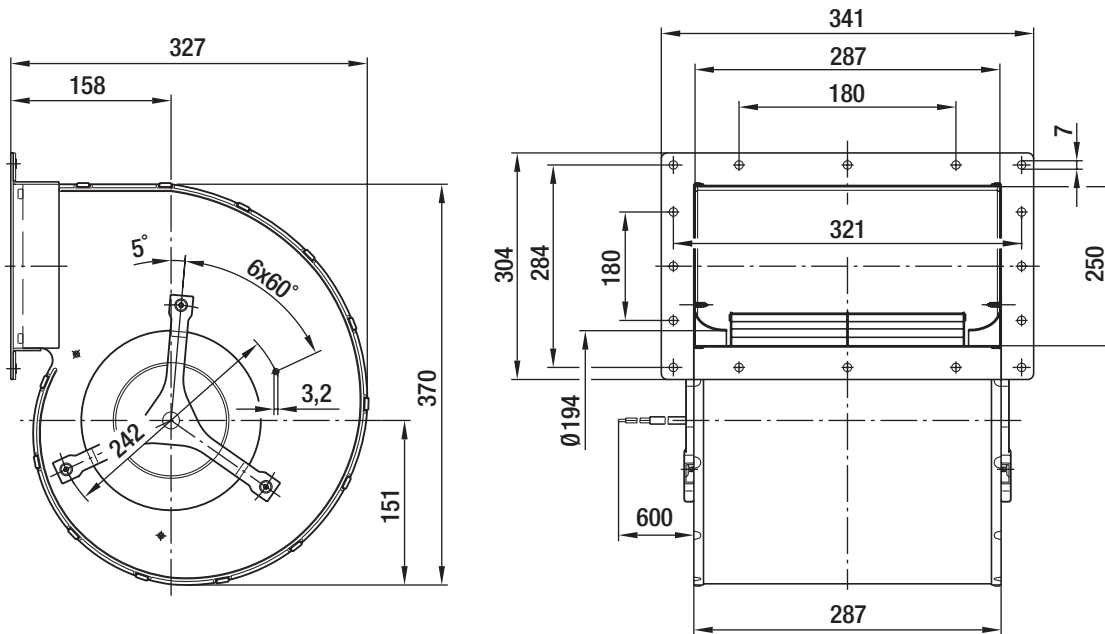
| | | | |
|-------------------------------|----------------------|---------|---------|
| Type | D4E225-CC01-02 | | |
| Motor | M4E074-LA | | |
| Phase | | 1~ | 1~ |
| Nominal voltage | [V] | 230 | 230 |
| Frequency | [Hz] | 50 | 60 |
| Type of data definition | | ml | ml |
| Valid for approval / standard | | CE | CE |
| Speed | [min ⁻¹] | 1150 | 1300 |
| Power input | [W] | 650 | 625 |
| Current draw | [A] | 2,84 | 2.75 |
| Motor capacitor | [µF] | 25 | 16 |
| Capacitor voltage | [VDB] | 400 | 400 |
| Capacitor standard | | P2 (CE) | P2 (CE) |
| Min. back pressure | [Pa] | 100 | 300 |
| Max. ambient temperature | [°C] | 30 | 30 |
| Air flow | [m ³ /h] | 2650 | 1970 |
| Back pressure | [Pa] | 100 | 300 |
| Sound pressure level | [dB(A)] | 65 | 61 |

ml = max. load · me = max. efficiency · rfa = running at free air · cs = customer specs · cu = customer unit
Subject to alterations

Technical features

| | |
|--------------------------------|---|
| Leakage current | < 0,75 mA |
| Size | 225 mm |
| Operation mode | Continuous operation (S1) |
| Direction of rotation | Counter-clockwise, seen on rotor |
| Insulation class | "B" |
| Bearing motor | Ball bearing |
| Mass | 12.4 kg |
| Housing material | Sendzimir galvanized sheet steel |
| Material of impeller | Sendzimir galvanized sheet steel |
| Motor protection | Thermal overload protector (TOP) wired internally |
| Product conforming to standard | CE |
| Type of protection | IP 22 |
| Protection class | I |
| Approval | CCC; GOST |

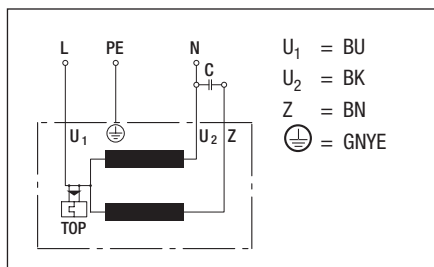
Product drawing



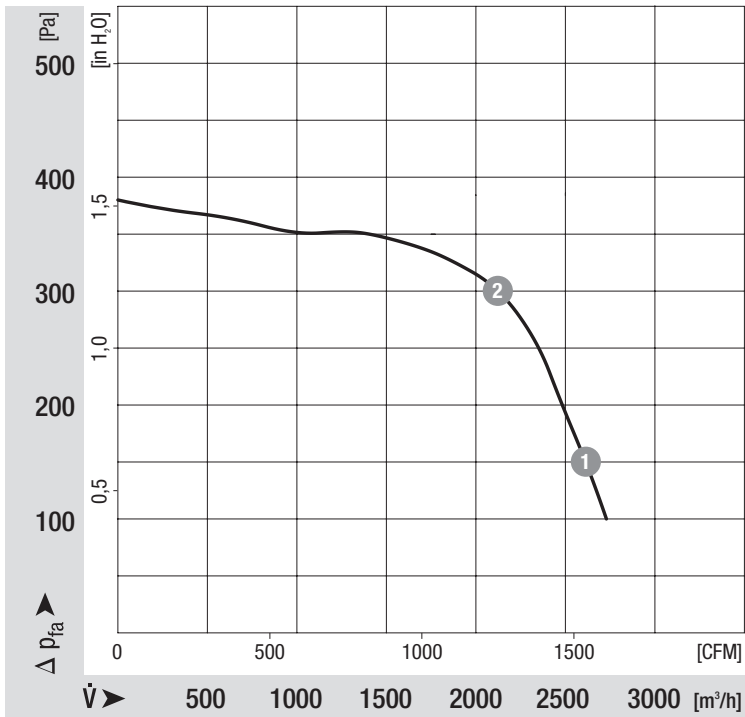
AC centrifugal fan

forward curved, dual inlet

Connection screen



Charts: Air flow 50 Hz



Measured values

| | n | P ₁ | I |
|---|----------------------|----------------|------|
| | [min ⁻¹] | [W] | [A] |
| 1 | 1200 | 660 | 2.98 |
| 2 | 1370 | 480 | 2.44 |