

D4D225-CC01-02

AC centrifugal fan

forward curved, dual inlet
with housing (large flange)



ebm-papst Muldingen GmbH & Co. KG

Bachmühle 2 · D-74673 Muldingen

Phone +49 7938 81-0

Fax +49 7938 81-110

info1@de.ebmpapst.com

www.ebmpapst.com

Limited partnership · Headquarters Muldingen
County court Stuttgart · HRA 590344

General partner Elektrobau Muldingen GmbH · Headquarters Muldingen
County court Stuttgart · HRB 590142



Nominal data

Type	D4D225-CC01-02				
Motor	M4D074-LA				
Phase		3~	3~	3~	3~
Nominal voltage	VAC	230	230	400	400
Connection		Δ	Δ	Y	Y
Frequency	Hz	50	60	50	60
Type of data definition		ml	ml	ml	ml
Valid for approval / standard		CE	CE	CE	CE
Speed	min ⁻¹	1040	1170	1040	1170
Power input	W	660	650	660	650
Current draw	A	2.08	2.08	1.2	1.2
Min. back pressure	Pa	80	200	80	200
Min. ambient temperature	°C	-25	-25	-25	-25
Max. ambient temperature	°C	40	40	40	40

ml = Max. load · me = Max. efficiency · fa = Running at free air · cs = Customer specs · cu = Customer unit
Subject to alterations

Data according to ErP directive

Installation category	B	Overall efficiency η_e	%	Actual 46.8	Request 2013 32.5	Request 2015 39.5
Efficiency category	Total	Efficiency grade N		56.3	42	49
Variable speed drive	No	Power input P_e	kW	0.31		
Specific ratio*	1.00	Air flow q_v	m ³ /h	1505		
		Pressure increase p_f	Pa	350		
		Speed n	min ⁻¹	1340		

Data definition with optimum efficiency. LU-105303
The ErP data is determined using a motor-impeller combination in a standardised measurement configuration.



AC centrifugal fan

forward curved, dual inlet
with housing (large flange)

Technical features

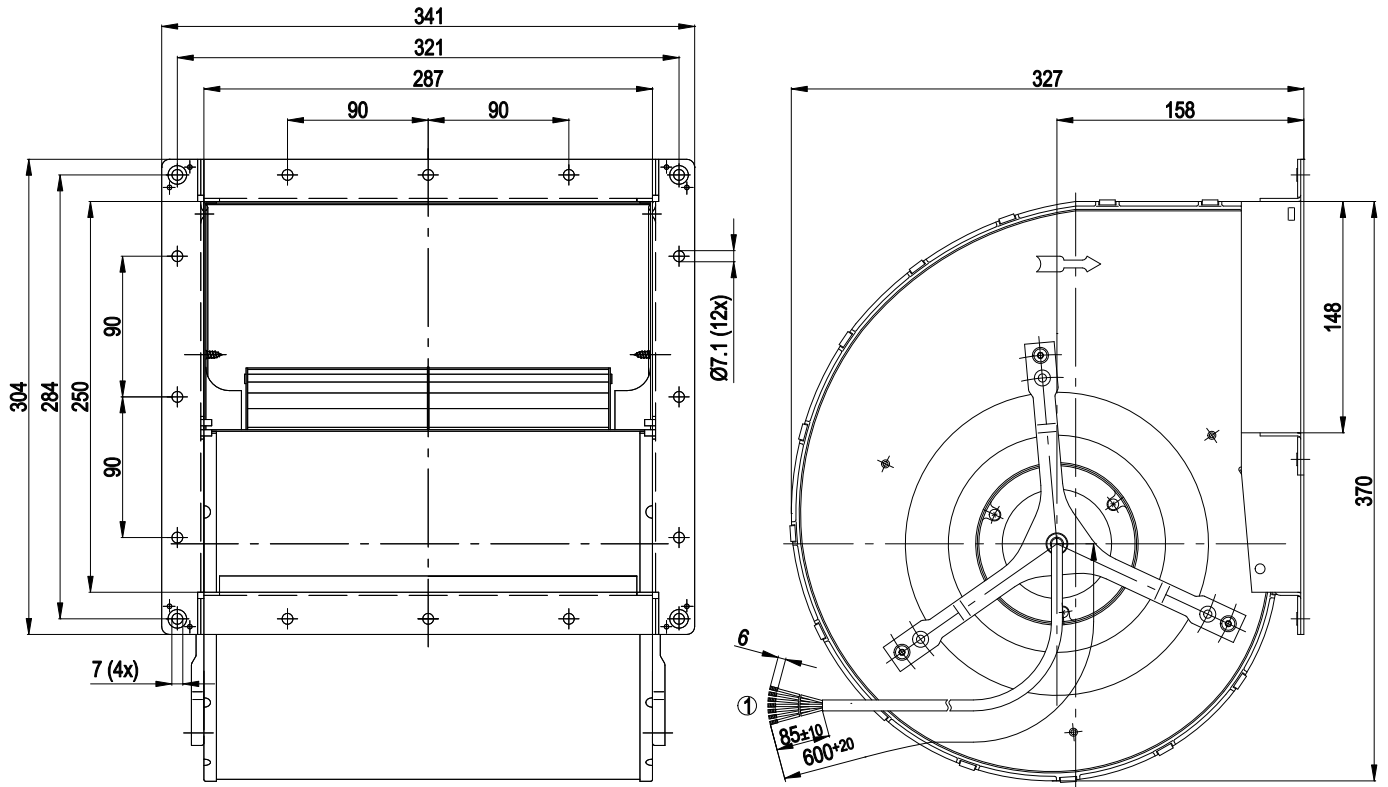
Mass	12.5 kg
Size	225 mm
Surface of rotor	Coated in black
Material of impeller	Sheet steel, galvanised
Housing material	Sheet steel, galvanised
Direction of rotation	Counter-clockwise, seen on rotor
Type of protection	IP 22
Insulation class	"B"
Humidity class	F2-1
Max. permissible ambient motor temp. (transp./ storage)	+ 80 °C
Min. permissible ambient motor temp. (transp./storage)	- 40 °C
Mounting position	Any
Condensate discharge holes	None
Operation mode	S1
Motor bearing	Ball bearing
Touch current acc. IEC 60990 (measuring network Fig. 4, TN system)	< 0.75 mA
Cable exit	Axial
Protection class	I (if protective earth is connected by customer)
Approval	CCC



AC centrifugal fan

forward curved, dual inlet
with housing (large flange)

Product drawing



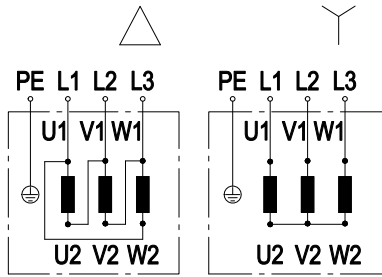
1 Connection line AWG20, 7x brass lead tips crimped



AC centrifugal fan

forward curved, dual inlet
with housing (large flange)

Connection screen



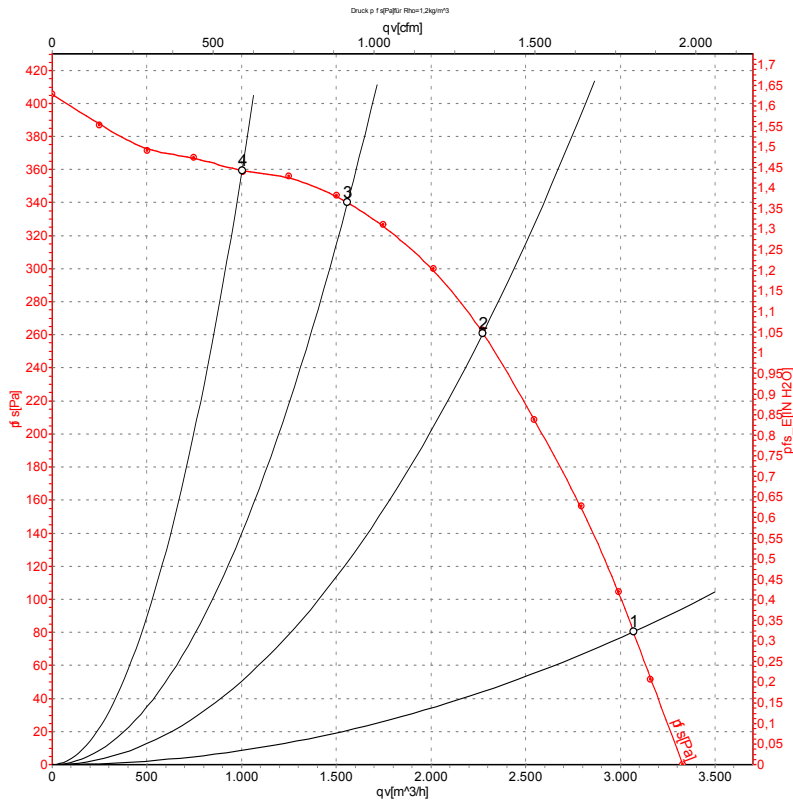
	Three-phase motor	Y	Star connection	Δ	Delta connection
L1	black	L2	black	L3	black
V2	black	U2	black	W2	black
PE	green / yellow				



AC centrifugal fan

forward curved, dual inlet
with housing (large flange)

Charts: Air flow 50 Hz



Air performance measured as per ISO 5801 Installation category A. For detailed information on the measuring set-up, please contact ebm-papst. Suction-side noise levels: L_{WA} measured as per ISO 13347 / L_{pA} measured with 1m distance to fan axis. The values given are valid under the measuring conditions mentioned above and may vary according to the actual installation situation. With any deviation from the standard set-up, the specific values have to be checked and reviewed with the unit installed.

Measured values

	Conn.	U	f	n	P _e	I	qv	p _{fs}
		V	Hz	min ⁻¹	W	A	m ³ /h	Pa
1	Y. aus	400	50	1040	660	1.20	3070	80
2	Y. aus	400	50	1225	473	0.91	2275	260
3	Y. aus	400	50	1330	323	0.71	1560	340
4	Y. aus	400	50	1385	240	0.63	1000	360

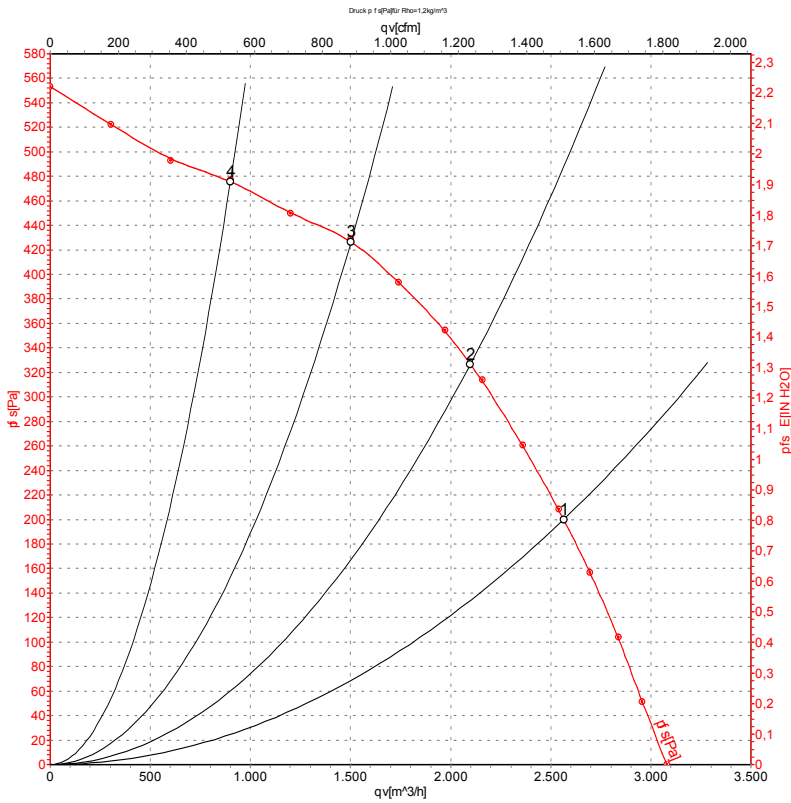
Conn. = Connection · U = Supply voltage · f = Frequency · n = Speed · P_e = Power input · I = Current draw · qv = Air flow · p_{fs} = Pressure increase



AC centrifugal fan

forward curved, dual inlet
with housing (large flange)

Charts: Air flow 60 Hz



Air performance measured as per ISO 5801 Installation category A. For detailed information on the measuring set-up, please contact ebm-papst. Suction-side noise levels: L_{WA} measured as per ISO 13347 / L_{pA} measured with 1m distance to fan axis. The values given are valid under the measuring conditions mentioned above and may vary according to the actual installation situation. With any deviation from the standard set-up, the specific values have to be checked and reviewed with the unit installed.

Measured values

	Conn.	U	f	n	P _e	I	qv	p _{fs}
		V	Hz	min ⁻¹	W	A	m ³ /h	Pa
1	Y. aus	400	60	1170	650	1.20	2565	200
2	Y. aus	400	60	1325	554	1.01	2100	325
3	Y. aus	400	60	1495	415	0.78	1500	425
4	Y. aus	400	60	1590	316	0.64	900	480

Conn. = Connection · U = Supply voltage · f = Frequency · n = Speed · P_e = Power input · I = Current draw · qv = Air flow · p_{fs} = Pressure increase

