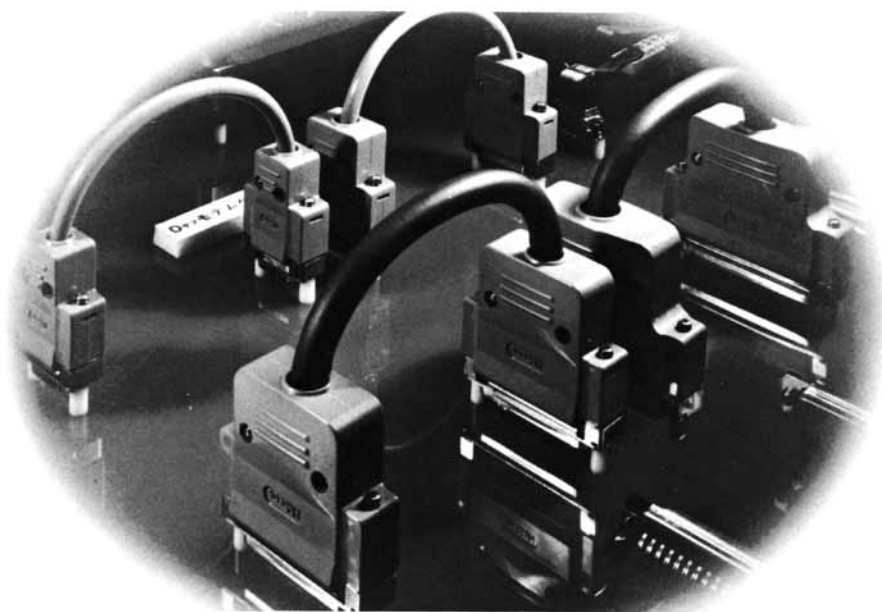


CTF SERIES PLASTIC D SUBMINIATURE SHELL (ACCESSORIES)

General

HIROSE CTF series plastic D subminiature shells offer the highest quality of mechanical design and appearance. Available to fit 9, 15, 25, and 37 position

connectors and most competitors products. LN mounts allow for design flexibility.



Features

- (1) Standard screw type locking mechanism provides a strong and secure lock.
- (2) ABS resin molding material offers light weight, sturdy construction.
- (3) Easy to assemble and service because the case is split at the center of the cable inlet and few screws are used.
- (4) Two types of locking devices are available, rectangular and hexagonal, to meet different panel mounting complies.
- (5) The 25-contact model complies with the the mod- em plug case specified in JIS-C-6361.
- (6) Can easily incorporate solderling (HD) and crimping.

Application

Modems in communications equipment such as computers, peripherals and terminal equipment, control

equipment, measuring instruments, and export equip- ment.

Materials

| Part | Material | Finish |
|----------------|---------------------------------|-------------------|
| Plug case | ABS resin | 2.5PB 6/2 (color) |
| Locking device | Steel or zinc alloy die casting | Nickel plating |

Ordering Informations

Plug case

HD B — CT F ※₁ ※₂
 | | | | | |
 (1) (2) (3) (4) (5) (8)

Locking device

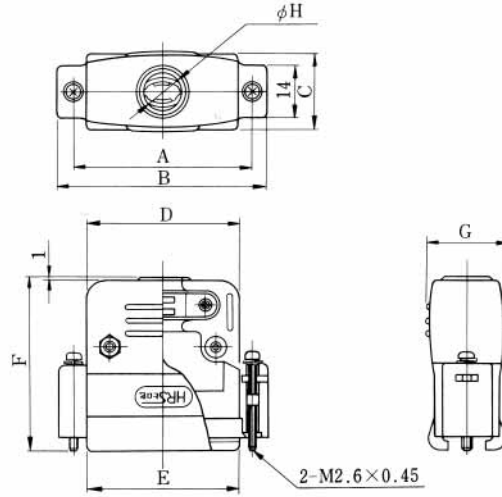
HD — LN A ※₂
 | | | |
 (1) (6) (7) (8)

- (1) Connector series
- (2) Connector size: E (9 contacts), A (15 contacts), B (25 contacts), C (37 contacts)
 Note: Not available for 50pos. cover.
- (3) Type of plug case
 CT: Plug case with a vertical cable inlet opening
- (4) Serial sign for series
 F: Plug case made of plastic
- (5) Locking screws
 No sign: To be locked with a screwdriver
 1: To be locked by hand
- (6) Locking device
 LN: screw type locking device
- (7) Type of locking device
 Provided with a sequence of upper-case alphabetic characters.
 No sign: Rectangular
 A: Hexagonal
- (8) Type of screw
 Provided with a sequence of Arabic numerals.
 No sign: M2.6
 (4-40): inch

Dataphone shell (To be locked with a screwdriver)



HDB-CTF (50)



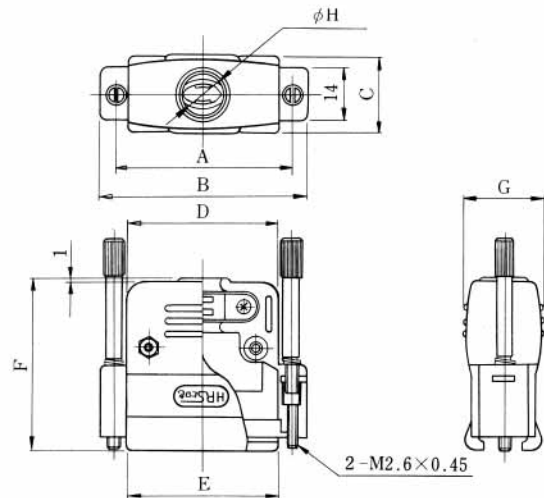
Unit: mm

| HRS No | No. of pin | Part No. | A | B | C | D | E | F | G | H | RoHS |
|-----------------|------------|--------------|-------|------|----|------|------|------|------|----|------|
| CL211-0159-8-50 | 9 | HDE-CTF (50) | 24.99 | 33.2 | 18 | 19.3 | 19.2 | 40.2 | 19.6 | 7 | YES |
| CL211-0160-7-50 | 15 | HDA-CTF (50) | 33.32 | 41.2 | 18 | 27.2 | 27.2 | 43.2 | 19.6 | 9 | |
| CL211-0139-0-50 | 25 | HDB-CTF (50) | 47.04 | 55 | 20 | 40 | 40 | 46 | 20.8 | 10 | |
| CL211-0161-0-50 | 37 | HDC-CTF (50) | 63.5 | 72.2 | 20 | 50.2 | 57 | 51.2 | 24 | 12 | |

Dataphone Shell (To be locked by hand)



HDB-CTF1 (50)



Unit: mm

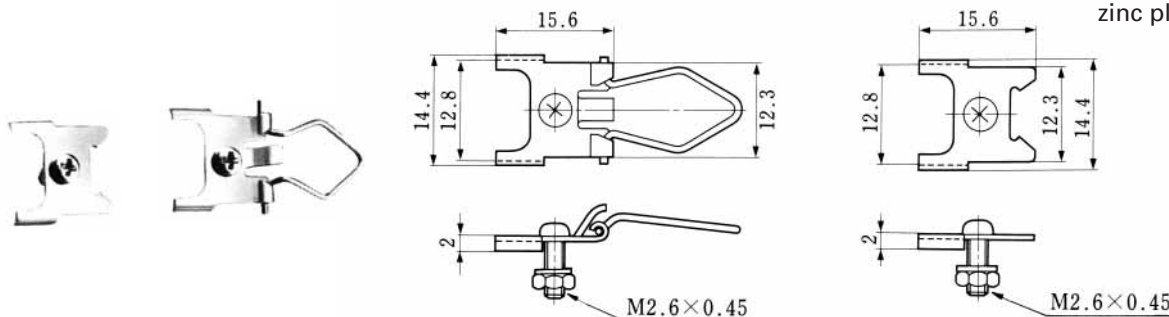
| HRS No | No. of pin | Part No. | A | B | C | D | E | F | G | H | RoHS |
|-----------------|------------|---------------|-------|------|----|------|------|------|------|----|------|
| CL211-0168-9-50 | 9 | HDE-CTF1 (50) | 24.99 | 33.2 | 18 | 19.2 | 19.2 | 40.2 | 19.6 | 7 | YES |
| CL211-0350-2-50 | 15 | HDA-CTF1 (50) | 33.32 | 41.2 | 18 | 27.2 | 27.2 | 43.2 | 19.6 | 9 | |
| CL211-0166-3-50 | 25 | HDB-CTF1 (50) | 47.04 | 55 | 20 | 40 | 40 | 46 | 20.8 | 10 | |
| CL211-0328-3-50 | 37 | HDC-CTF1 (50) | 63.5 | 72.2 | 20 | 50.2 | 57 | 51.2 | 24 | 12 | |

SM Series (D SUB) Accessory

Spring lock

Material

Body: Stainless steel
 Screws: Steel
 Finish
 Screws: Treated with dichromate over zinc plating



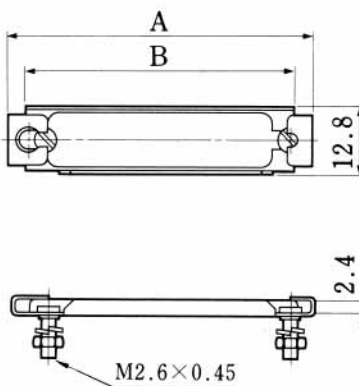
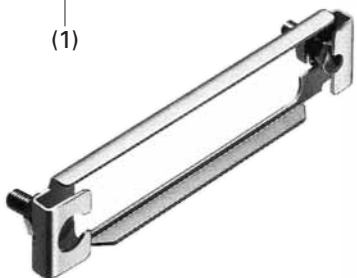
| HRS No | Part No. | RoHS |
|-----------------|-----------|------|
| CL211-0122-8-50 | DA-L (50) | YES |

| HRS No | Part No. | RoHS |
|-----------------|------------|------|
| CL211-0123-0-50 | DA-LP (50) | YES |

Spring lock

D※-PLA (50)

(1)



Material

Body: Stainless steel
 Screws: Steel
 Finish
 Screws: Nickel plating

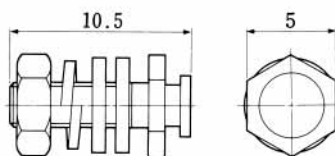


Unit: mm

- (1) Connector size: E (9contacts)
 A (15contacts)
 B (25contacts)
 C (37contacts)

| HRS No | Part No. | A | B | No. of pin | RoHS |
|-----------------|-------------|-------|-------|------------|------|
| CL211-0679-8-50 | DE-PLA (50) | 35.37 | 28.51 | 9 | YES |
| CL211-0680-7-50 | DA-PLA (50) | 43.7 | 36.84 | 15 | |
| CL211-0681-0-50 | DB-PLA (50) | 57.42 | 50.56 | 25 | |
| CL211-0682-2-50 | DC-PLA (50) | 73.88 | 67.02 | 37 | |

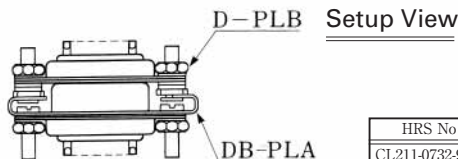
D-PLA (05)



Material: Steel

Body
 Finish: Nickel plating
 Screws

- Notes (1) Minimum ordering quantity is one package, which contains two units.
 (2) Applicable for any size of our connectors.



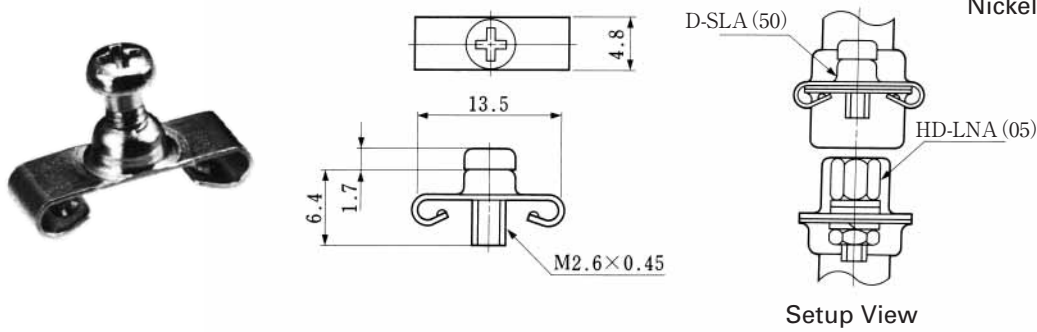
| HRS No | Part No. | RoHS |
|-----------------|------------|------|
| CL211-0732-9-05 | D-PLB (05) | YES |

SM Series (D SUB) Accessory

Screw lock (for HD-LNA)

Note: Minimum ordering quantity is one package, which contains two units.

Material
 Body: Steel
 Finish
 Nickel plating



| HRS No | Part No. | RoHS |
|-----------------|------------|------|
| CL211-0307-3-50 | D-SLA (50) | YES |

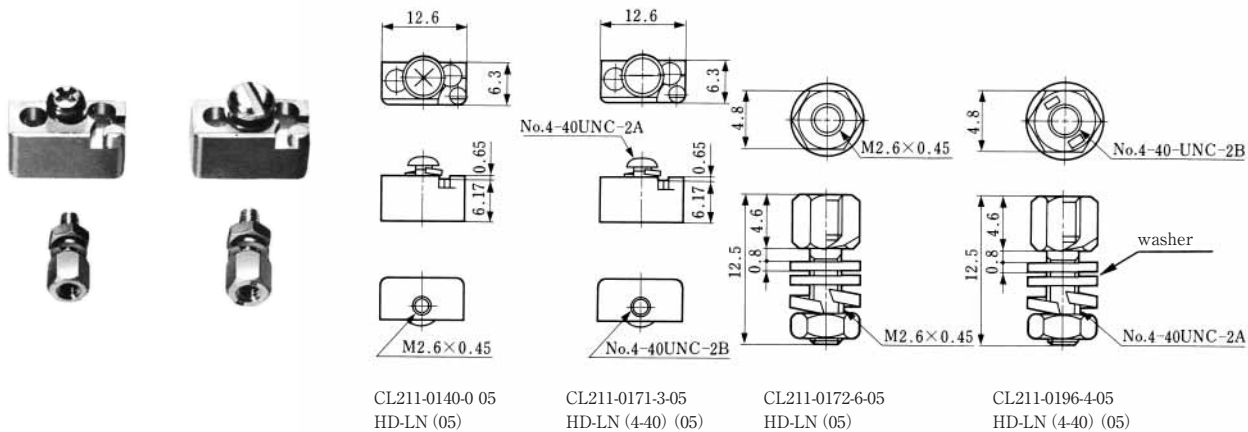
Before mounting the D-SLA, loosen the screw slightly

Note (1) Applicable for 9 to 37 contacts.

(2) Minimum ordering quantity is one package which contains two units.

Locking device

| No. of washers | Applicable panel thickness |
|----------------|----------------------------|
| 0 | 1.6-2.0mm |
| 1 | 0.8-1.2mm |
| 2 | 0-0.4mm |



CL211-0140-0 05
 HD-LN (05)

CL211-0171-3-05
 HD-LN (4-40) (05)

CL211-0172-6-05
 HD-LN (05)

CL211-0196-4-05
 HD-LN (4-40) (05)

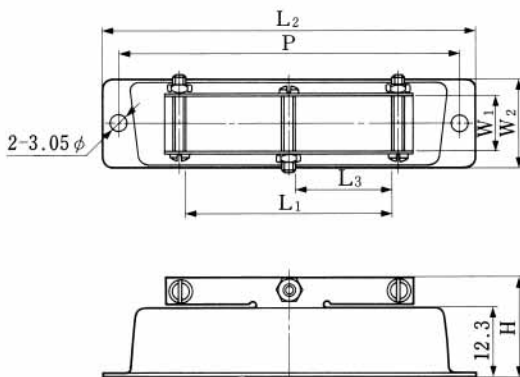
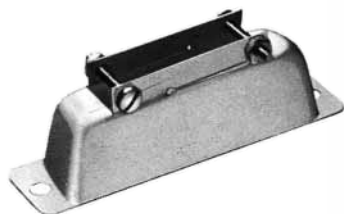
Unit: mm

| HRS No | Part No. | RoHS | Applicable panel thickness | No. of washers | Finish |
|-----------------|--------------------|------|----------------------------|----------------|----------------------|
| CL211-0140-0 05 | HD-LN (05) | YES | 1.2mm or less | | Nickel plating |
| CL211-0171-3 05 | HD-LN (4-40) (05) | | | | |
| CL211-0140-0 08 | HD-LN (08) | | 1.2-1.6mm | | |
| CL211-0171-3 08 | HD-LN (4-40) (08) | | | | |
| CL211-0172-6 05 | HD-LNA (05) | | 1.6-2.0mm | 0 | Adjust no. of washer |
| CL211-0196-4 05 | HD-LNA (4-40) (05) | | 0.8-1.2mm | 1 | |
| | | | 0-0.4mm | 2 | |

Material
 Steel or zinc alloy
 Finish
 Nickel plating

SM Series (D SUB) Accessory

Clamp

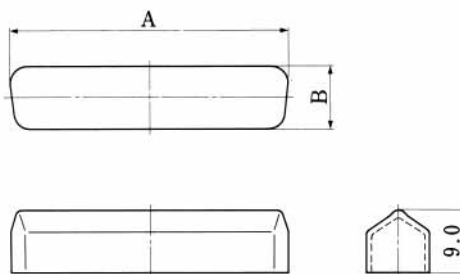


Material
Steel
Finish
Nickel plating

Unit: mm

| HRS No | Part No. | L ₁ | L ₂ | L ₃ | P | W ₁ | W ₂ | H (abt.) | RoHS |
|-----------------|------------|----------------|----------------|----------------|-------|----------------|----------------|----------|------|
| CL211-0018-6-50 | HDE-C (50) | 7.3 | 30.6 | — | 24.99 | 7.5 | 12.7 | 16.3 | YES |
| CL211-0005-4-50 | HDA-C (50) | 8.0 | 38.9 | — | 33.32 | 7.5 | 12.7 | 16.3 | |
| CL211-0011-7-50 | HDB-C (50) | 20.2 | 52.8 | — | 47.04 | 7.5 | 12.7 | 16.3 | |
| CL211-0059-3-50 | HDC-C (50) | 37.0 | 69.1 | 17.5 | 63.5 | 7.5 | 12.7 | 16.3 | |
| CL211-0006-7-50 | HDD-C (50) | 37.0 | 66.7 | 17.5 | 61.11 | 9.9 | 15.5 | 17.6 | |

Dust cap

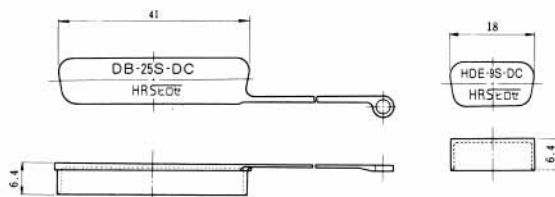


Material
Vinyl chloride (UL94V-2)
Finish
Color: Light blue

| | HRS No | No. of pin | Part No. | A | B | RoHS |
|--------------------|--------------|------------|------------|------|------|------|
| For male connector | CL211-0777-7 | 9 | DE-9P-DC1 | 18.7 | 10.2 | YES |
| | CL211-0778-0 | 15 | DA-15P-DC1 | 27.0 | 10.2 | |
| | CL211-0779-2 | 25 | DB-25P-DC1 | 41.0 | 10.4 | |
| | CL211-0780-1 | 37 | DC-37P-DC1 | 57.7 | 10.6 | |
| | CL211-0781-4 | 50 | DD-50P-DC1 | 55.0 | 13.3 | |

| | HRS No | No. of pin | Part No. | A | B | RoHS |
|----------------------|--------------|------------|------------|------|------|------|
| For female connector | CL211-0782-7 | 9 | DE-9S-DC1 | 17.4 | 8.8 | YES |
| | CL211-0783-0 | 15 | DA-15S-DC1 | 25.6 | 8.8 | |
| | CL211-0784-2 | 25 | DB-25S-DC1 | 39.3 | 8.8 | |
| | CL211-0785-5 | 37 | DC-37S-DC1 | 55.8 | 8.8 | |
| | CL211-0786-8 | 50 | DD-50S-DC1 | 53.4 | 11.6 | |

Note: Dust cap for male connector cannot be used for the connector with locking device (LN)



Material
Polyethylene resin
Finish
Color: Natural

| HRS No | Part No. | RoHS |
|--------------|-----------|------|
| CL211-0162-2 | DB-25S-DC | YES |

| HRS No | Part No. | RoHS |
|--------------|-----------|------|
| CL211-0130-6 | HDE-9S-DC | YES |