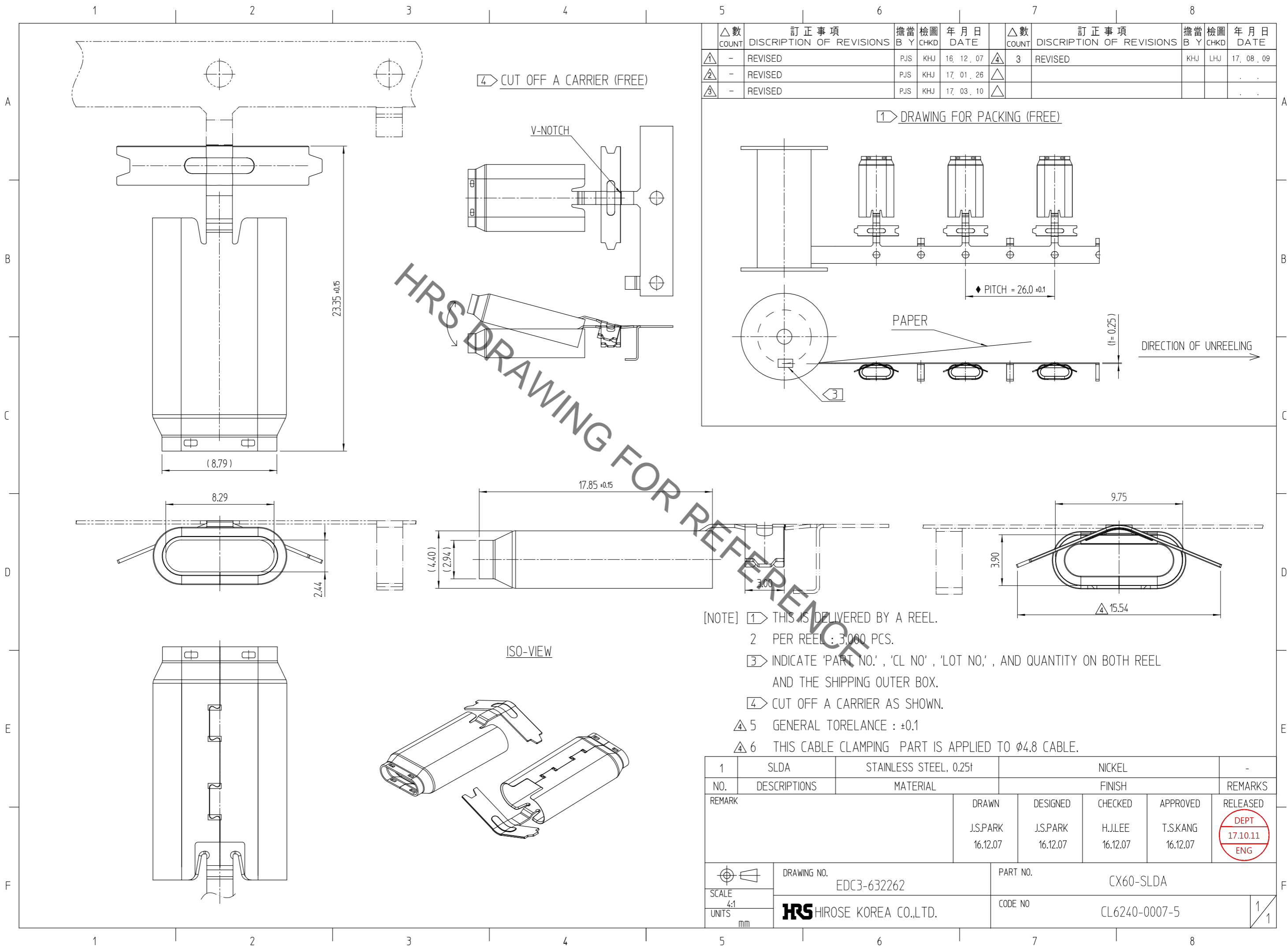
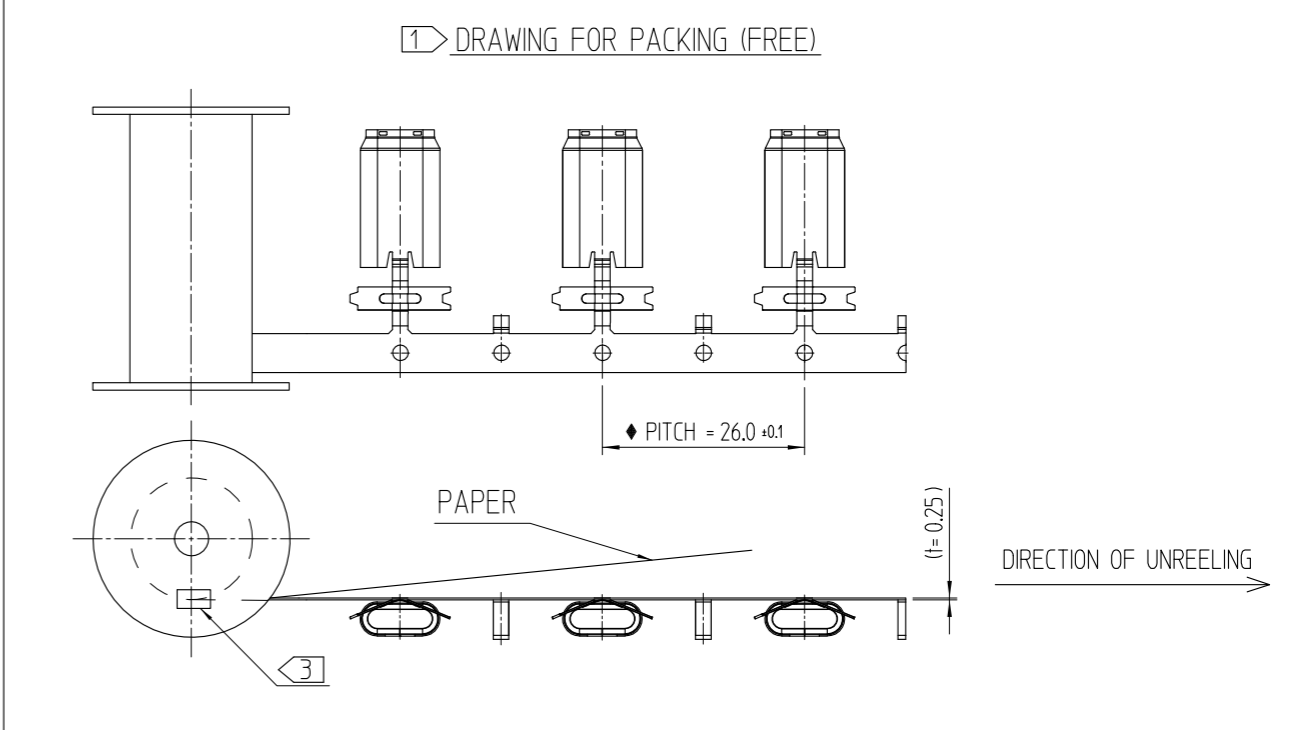


Oct.1.2022 Copyright 2022 HIROSE ELECTRIC CO., LTD. All Rights Reserved.
In case of consideration for using Automotive equipment / device which demand high reliability, kindly contact our sales window correspondents.



△數 COUNT	訂正事項 DISCRIPTION OF REVISIONS	擔當 B Y	檢圖 CHKD	年月日 DATE	△數 COUNT	訂正事項 DISCRIPTION OF REVISIONS	擔當 B Y	檢圖 CHKD	年月日 DATE
①	- REVISED	PJS	KHJ	16. 12. 07	④	3 REVISED	KHJ	LHJ	17. 08 . 09
②	- REVISED	PJS	KHJ	17. 01. 26	△				
③	- REVISED	PJS	KHJ	17. 03. 10	△				



- [NOTE] ① THIS IS DELIVERED BY A REEL.
 ② PER REEL : 3,000 PCS.
 ③ INDICATE 'PART NO.', 'CL NO', 'LOT NO.', AND QUANTITY ON BOTH REEL AND THE SHIPPING OUTER BOX.
 ④ CUT OFF A CARRIER AS SHOWN.
 △ 5 GENERAL TORELANCE : ±0.1
 △ 6 THIS CABLE CLAMPING PART IS APPLIED TO φ4.8 CABLE.

1	SLDA	STAINLESS STEEL, 0.25t	NICKEL			-	
NO.	DESCRIPTIONS	MATERIAL	FINISH			REMARKS	
REMARK			DRAWN	DESIGNED	CHECKED	APPROVED	RELEASED
			J.S.PARK	J.S.PARK	H.J.LEE	T.S.KANG	DEPT 17.10.11 ENG
			16.12.07	16.12.07	16.12.07	16.12.07	
DRAWING NO.	EDC3-632262		PART NO.		CX60-SLDA		
SCALE	4:1		CODE NO		CL6240-0007-5		
UNITS	mm		HRS HIROSE KOREA CO.,LTD.				