

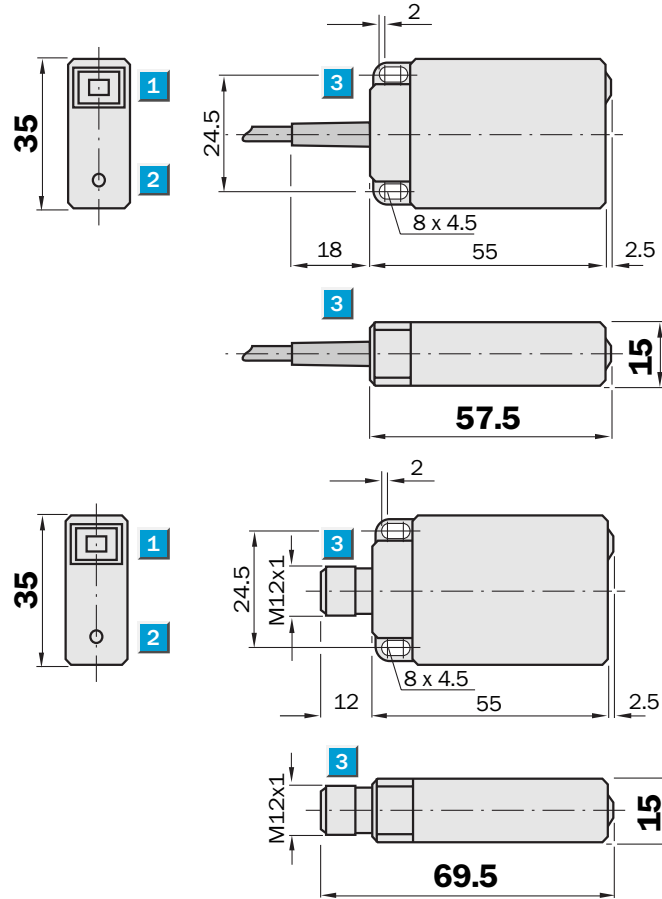
# Capacitive sensor, CQ35, DC 4-wire, Plastic

**Sensing range**  
25 mm

Capacitive sensor

- High EMC immunity
- Short-circuit protection (pulsed)
- Complementary output function
- Enclosure rating IP 67
- LED status indicator

## Dimensional drawing



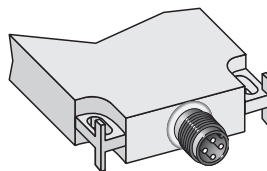
- 1 Display LED
- 2 Potentiometer
- 3 Connection



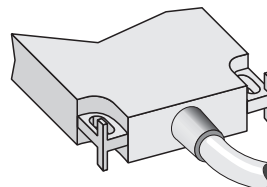
## Connection type

CQ35-25NPP-KC1  
CQ35-25NPP-KC1

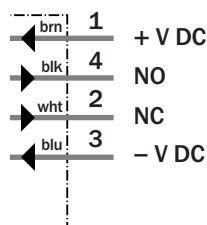
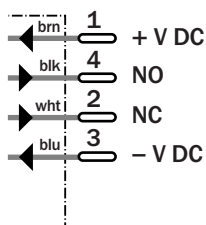
CQ35-25NPP-KW1  
CQ35-25NPP-KW1



M12, 4-pin



4 x 0.34 mm<sup>2</sup>



## See chapter Accessories

Connector, M12, 4-pin

Technical specifications		CQ35-	25NNP-KC1	25NNP-KW1	25NPP-KC1	25NPP-KW1						
<b>Sensing range <math>S_n</math></b>	25 mm											
<b>Electrical configuration</b>	DC 4-wire											
<b>Supply voltage <math>V_s</math></b>	DC 10 ... 40 V											
Ripple $U_{pp}$	$\leq 10\%$ <sup>1)</sup>											
Voltage drop $U_d$	$\leq 2.5\text{ V}$ <sup>2)</sup>											
Power consumption	$\leq 10\text{ mA}$ <sup>3)</sup>											
<b>Continuous current <math>I_a</math></b>	$\leq 200\text{ mA}$											
Time delay before availability $t_v$	$\leq 100\text{ ms}$											
Hysteresis H, of $s_r$	4 ... 20 %											
Repeatability R	$\leq 5\%$ ( $U_b$ and $T_a$ constant) <sup>4)</sup>											
Temperature drift, of $s_r$	$\pm 10\%$											
EMC	According to EN 60947-5-2											
<b>Switching output</b>	NPN											
	PNP											
<b>Output function</b>	Complementary											
<b>Installation</b>	Non-flush											
<b>Connection type</b>	Connector, M12, 4-pin											
	Cable, PVC, 2 m											
<b>Enclosure rating</b>	IP 67 <sup>5)</sup>											
Max. switching frequency	50 Hz											
Dimensions	35 x 15 x 69.5 mm <sup>6)</sup>											
	35 x 15 x 57.5 mm <sup>6)</sup>											
<b>Short-circuit protection</b>	✓ <sup>7)</sup>											
<b>Reverse polarity protection</b>	✓											
<b>Power-up pulse suppression</b>	✓											
Shock/vibration stress	30 g, 11 ms/10 ... 55 Hz, 1 mm											
<b>Ambient temperature operation</b>	-25 °C ... +75 °C											
<b>Housing material</b>	Plastic											

<sup>1)</sup> of  $U_b$   
<sup>2)</sup> at  $I_a$  max  
<sup>3)</sup> without load  
<sup>4)</sup> of  $s_r$   
<sup>5)</sup> according to EN 60529  
<sup>6)</sup> Width x height x depth  
<sup>7)</sup> (pulsed)

## Order information

Type	Order no.
CQ35-25NNP-KC1	6 021 464
CQ35-25NNP-KW1	6 021 463
CQ35-25NPP-KC1	6 020 479
CQ35-25NPP-KW1	6 020 478