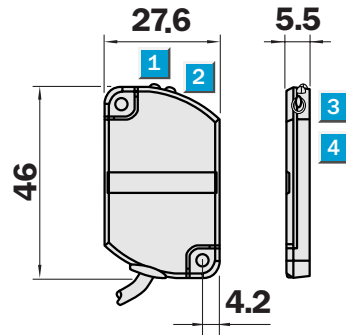


Sensing range
10 mm

Capacitive sensor

- Thin profile:
28 x 46 x 5.5 mm (w x h x d)
- Adjustable sensing range
1 ... 10 mm, non-flush
- Short circuit and
reverse polarity protection
- Teach-in via button or COM-input

Dimensional drawing

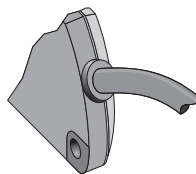


- 1 Indicator LED green
- 2 Indicator LED yellow
- 3 Teach button
- 4 Sensing area

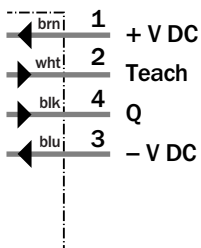


Connection type

CQ28-10NPP-KW1
CQ28-10NPP-KW1



4 x 0.14 mm²



Technical specifications		CQ28-	10NNP-KW1	10NPP-KW1									
Sensing range S_n	10 mm												
Electrical configuration	DC 4-wire												
Supply voltage V_s	DC 10 ... 30 V												
Ripple U_{pp}	$\leq 10 \%$												
Voltage drop U_d	$\leq 2.5 V^1$												
Power consumption	$\leq 12 mA^2$												
Continuous current I_a	$\leq 200 mA$												
Time delay before availability t_v	300 ms												
Hysteresis H, of s_r	Depending on teach adjustment												
Repeatability R	$\leq 5 \%$ (U_b and T_a constant) ³⁾												
Temperature drift, of s_r	$\pm 10 \%$												
EMC	According to EN 60947-5-2												
Switching output	NPN												
	PNP												
Output function	Programmable												
Installation	Non-flush												
Connection type	Cable, PVC, 2 m												
Enclosure rating	IP 68 ⁴⁾												
Max. switching frequency	10 Hz												
Dimensions	28 x 46 x 5.5 mm ⁵⁾												
Short-circuit protection	✓												
Reverse polarity protection	✓												
Shock/vibration stress	30 g, 11 ms/10 ... 55 Hz, 1 mm												
Ambient temperature operation	-20 °C ... +85 °C												
Ambient temperature storage	-40 °C ... +85 °C												
Housing material	Plastic, PBT												

¹⁾ at I_a max

²⁾ without load

³⁾ of s_r

⁴⁾ according to EN 60529

⁵⁾ Width x height x depth

Order information

Type	Order no.
CQ28-10NNP-KW1	6 030 133
CQ28-10NPP-KW1	6 030 132