



Czujniki pojemnościowe
Rectangular housing, CQ28

CQ28-10NNP-KW1S03



Nazwa modelu > **CQ28-10NNP-KW1S03**

Numer cz ci > **6049010**



At a glance

- PNP or NPN output versions are available
- Operating distance up to 10 mm
- High electromagnetic immunity
- Extra narrow rectangular housing (5.5 mm)
- Short-circuit reverse polarity and power-up pulse suppression protection
- IP 68 enclosure rating
- Programmable complementary output function as NO or NC
- Two LED status indicators for output and sensitivity

Your benefits

- Flat housing design saves installation space on the machine
- Time-saving installation on machine via zip tie or counter sunk screws
- Time-saving setup via control wire or a pushbutton
- High EMC immunity prevents false switching and increases throughput
- Non-contact level measurement, even through container or tank walls, which eliminates drilling holes and thus reduces installation time



Cechy

Budowa:	Prostopadłościenna
Wymiary (Szer. x Wys. x Głęb.):	28 mm x 46 mm x 5,5 mm
Sensing range Sn:	10 mm
Assured sensing range Sa:	7,2 mm
Instalacja w metalu:	Niezabudowany
Nastawienie czułości:	Teach-in button External Teach-in
Częstotliwość przełączania:	10 Hz
Wyjście przełączające:	NPN
Output function:	NC or NO
Electrical wiring:	DC 4-żyłowy
Rodzaj zabezpieczenia:	IP 68 ¹⁾
Typ połączenia:	Cable with connector M8, 4-pin, 0,2 m ²⁾

¹⁾ According to EN 60529 ²⁾ Do not bend below 0 °C

Mechanika/elektronika

Napięcie zasilania:	10 V DC ... 30 V DC
Tętnienia resztkowe:	≤ 10 %
Spadek napięcia:	≤ 2,5 V DC ¹⁾
Current consumption:	≤ 12 mA ²⁾
Czas osiągnięcia dostępności:	≤ 300 ms
Odtwarzalność:::	≤ 5 % ^{3) 4)}
Przesunięcie cieplne (Sr):	± 10 %
Kompatybilność elektromagnetyczna::	Zgodna z EN 60947-5-2 ⁵⁾
Output current Ia:	≤ 200 mA
Cable material:	PVC
Zabezpieczenie przed zwarciami:	✓
Zabezpieczenie przed zmianą biegunowości:	✓
Shock/vibration:	30 g, 11 ms/10 ... 55 Hz, 1 mm
Ambient operating temperature:	-20 °C ... +85 °C
Ambient storage temperature:	-40 °C ... +85 °C
Tworzywo, obudowa:	PBT

1) At I_a max 2) Bez obciążenia 3) Of Sr 4) Ub and Ta constant 5) In EMC critical applications, conducted interference levels may lie in the frequency range of the oscillator. This can cause changes to the output signal.(see operating instructions)

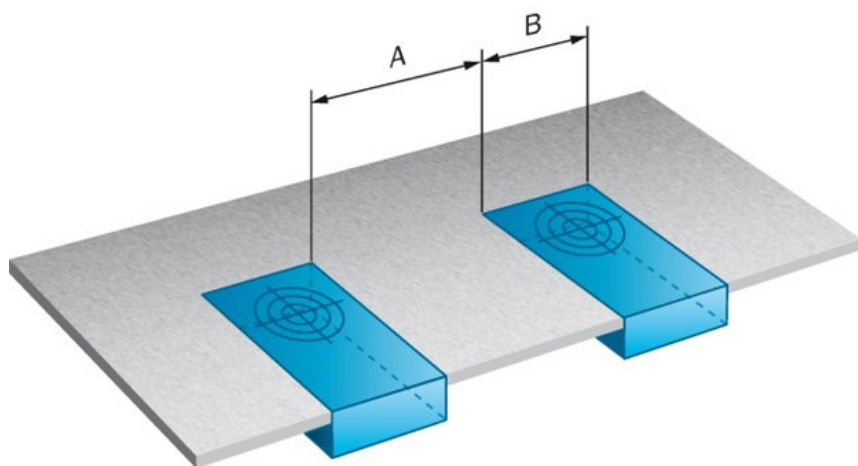
Współczynniki redukcyjne

Uwaga:	The values are reference values which may vary
Metal:	1
Water:	1
PVC:	Ca. 0,4
Oil:	Ca. 0,25

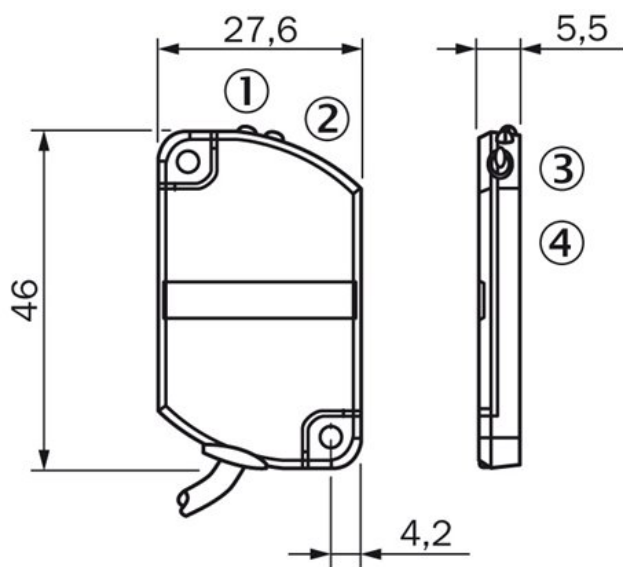
Instrukcje okrelajace

Uwaga:	Associated graphic see "Installation"
A:	27,6 mm
B:	27,6 mm

Installation note



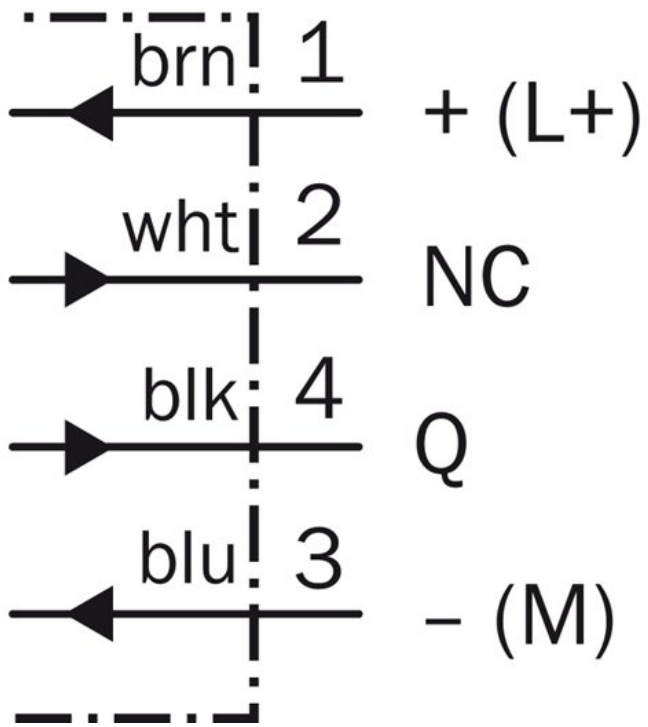
Rysunek techniczny



- |1| LED indicator green
- |2| LED indicator yellow
- |3| Teach-in button
- |4| Sensing face

Alle Maße in mm

Connection diagram



Australia

Phone +61 3 9457 0600
1800 33 48 02 – tollfree
E-Mail sales@sick.com.au

Belgium/Luxembourg

Phone +32 (0)2 466 55 66
E-Mail info@sick.be

Brasil

Phone +55 11 3215-4900
E-Mail marketing@sick.com.br

Canada

Phone +1 905 771 14 44
E-Mail information@sick.com

Česká republika

Phone +420 2 57 91 18 50
E-Mail sick@sick.cz

China

Phone +86 4000 121 000
E-Mail info.china@sick.net.cn
Phone +852-2153 6300
E-Mail ghk@sick.com.hk

Danmark

Phone +45 45 82 64 00
E-Mail sick@sick.dk

Deutschland

Phone +49 211 5301-301
E-Mail info@sick.de

España

Phone +34 93 480 31 00
E-Mail info@sick.es

France

Phone +33 1 64 62 35 00
E-Mail info@sick.fr

Great Britain

Phone +44 (0)1727 831121
E-Mail info@sick.co.uk

India

Phone +91-22-4033 8333
E-Mail info@sick-india.com

Israel

Phone +972-4-6881000
E-Mail info@sick-sensors.com

Italia

Phone +39 02 27 43 41
E-Mail info@sick.it

Japan

Phone +81 (0)3 5309 2112
E-Mail support@sick.jp

Magyarország

Phone +36 1 371 2680
E-Mail office@sick.hu

Nederland

Phone +31 (0)30 229 25 44
E-Mail info@sick.nl

Norge

Phone +47 67 81 50 00
E-Mail sick@sick.no

Österreich

Phone +43 (0)22 36 62 28 8-0
E-Mail office@sick.at

Polska

Phone +48 22 837 40 50
E-Mail info@sick.pl

România

Phone +40 356 171 120
E-Mail office@sick.ro

Russia

Phone +7-495-775-05-30
E-Mail info@sick.ru

Schweiz

Phone +41 41 619 29 39
E-Mail contact@sick.ch

Singapore

Phone +65 6744 3732
E-Mail sales.gsg@sick.com

Slovenija

Phone +386 (0)1-47 69 990
E-Mail office@sick.si

South Africa

Phone +27 11 472 3733
E-Mail info@sickautomation.co.za

South Korea

Phone +82 2 786 6321/4
E-Mail info@sickkorea.net

Suomi

Phone +358-9-25 15 800
E-Mail sick@sick.fi

Sverige

Phone +46 10 110 10 00
E-Mail info@sick.se

Taiwan

Phone +886 2 2375-6288
E-Mail sales@sick.com.tw

Türkiye

Phone +90 (216) 528 50 00
E-Mail info@sick.com.tr

United Arab Emirates

Phone +971 (0) 4 88 65 878
E-Mail info@sick.ae

USA/México

Phone +1(952) 941-6780
1 (800) 325-7425 – tollfree
E-Mail info@sickusa.com

More representatives and agencies
at www.sick.com