

# Level switch CPW-3M with time and sensitivity adjustment



www.mikrobest.pl

## Relay for monitoring levels in wells, basins, tanks...



### General characteristics

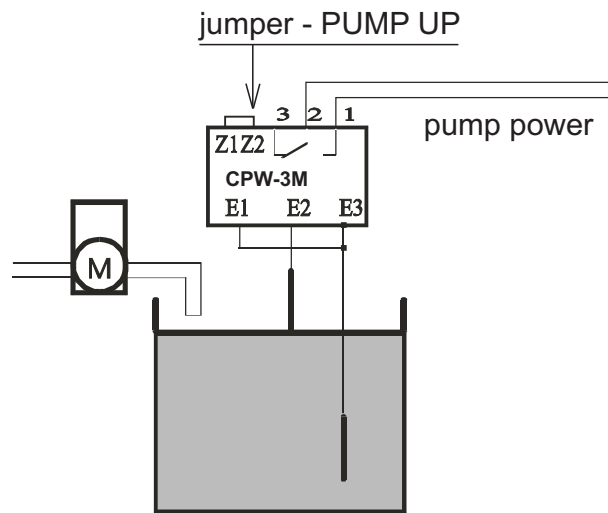
- Electronic relay for monitoring level of liquid
- 1 relay output with 2 changeover contacts (DPDT)
- Green LED for relay state
- Red LED for supply voltage
- Choice of function PUMP UP / PUMP DOWN
- Modular housing; rail 35mm mounting
- Time and sensitivity adjustment

### Technical parameters

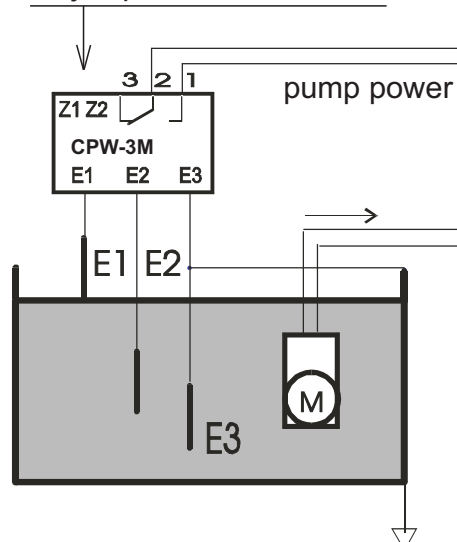
Supply terminals:	230 V; 50Hz
Consumption:	max 3VA
Current rating:	8A/250V AC1 8A/24V DC1
Protection degree:	IP40
Dimensions:	95 x 60 x 54mm

## Function

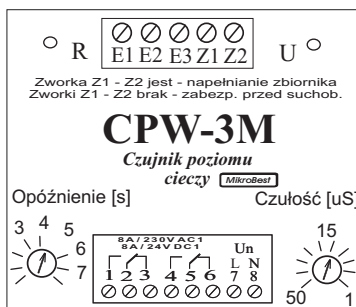
Relay is designated for monitoring of levels of conductive liquids with possibility of functions PUMP UP and PUMP DOWN. For measuring use three measuring probes: E1 - upper level; E2 - lower level and E3 - common probe. In case you use a tank made of a conductive material, you can use it as a probe E3. CPW-2zC is designated to monitoring liquids with sensitivity like water.



### no jumper - PUMP DOWN



time adjustment



sensitivity adjustment

