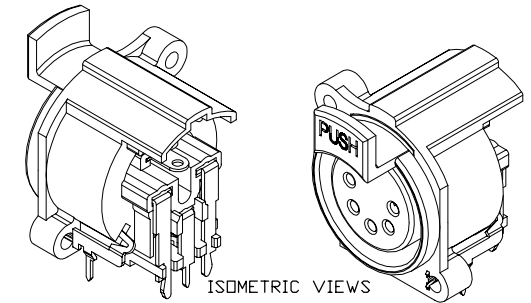
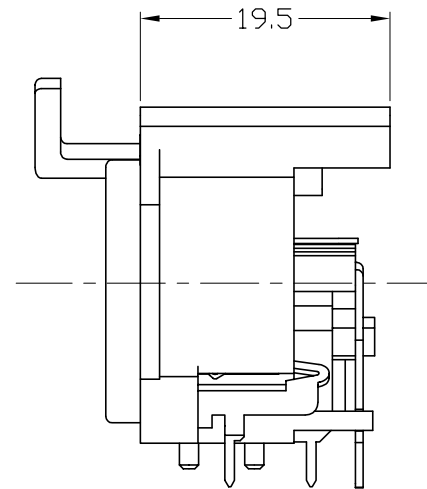
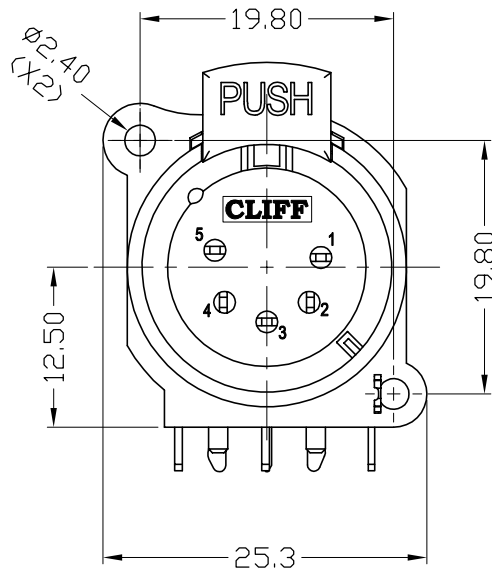
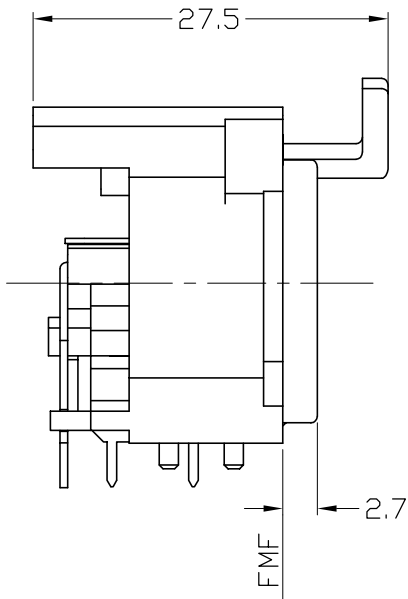
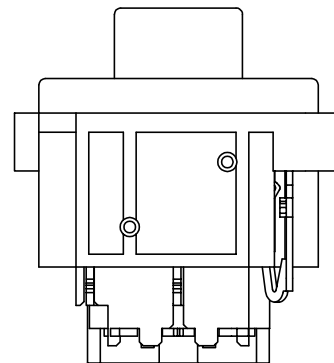
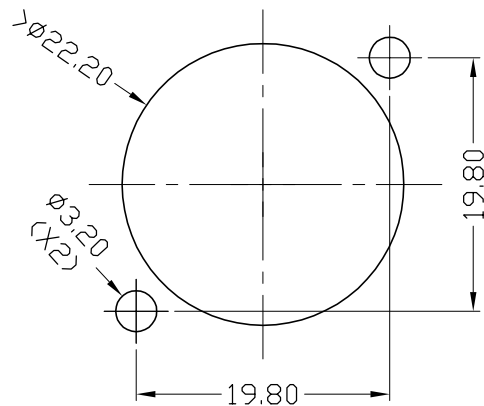


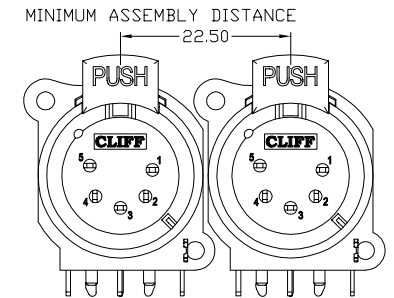
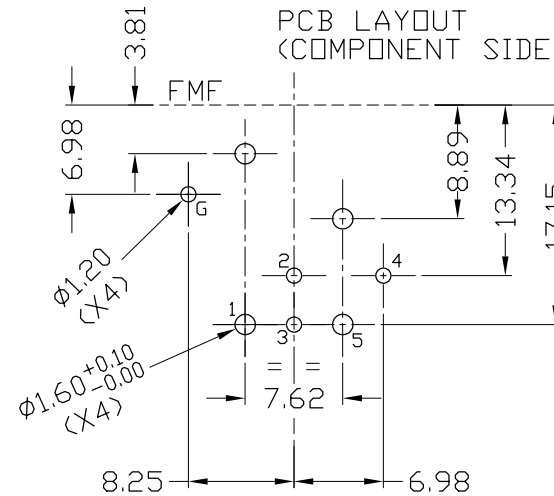
REV.	REVISION	DATE
1	WAS 221-A	16/1/01



PANEL CUTOUT (COMPONENT SIDE)



PCB LAYOUT (COMPONENT SIDE)



VARIANTS

P/No.	WITH LATCH	WITH EARTH CONTACT
CP 300404		• (STD)
CP 300404N		
CP 300405	•	• (STD)
CP 300405N	•	

Tolerance

- NO DEC. PLACE ± 0.50
- 1 DEC. PLACE ± 0.20
- 2 DEC. PLACE ± 0.10
- DIA. HOLES ± 0.10
- ANGLES ± 1/2°
- UNLESS OTHERWISE STATED



1ST DRAWN : 16/11/00

WHERE USED F.R.

SCALE N.T.S.

DIMENSIONS IN MILLIMETERS UNLESS OTHERWISE STATED. WORK TO DIMENSIONS. DO NOT SCALE DRAWING. 3rd ANGLE PROJECTION. REMOVE BURRS. IF IN DOUBT ASK.

Cliff Electronic Components Limited
 76 Holmethorpe Ave., Holmethorpe Ind. Estate,
 Redhill, Surrey. RH1 2PF. England.
 Tel: 01737-771375 Fax: 01737-766012

MATERIAL COMPOSITE
FINISH CLEAN / GOLD PLATED
DRAWN D.P.J. APPD. RWT

TITLE 5 PIN PC FEMALE XLR 5XNACF/PC90
DRWG. No. CP 300405

FORM: A4DRWG