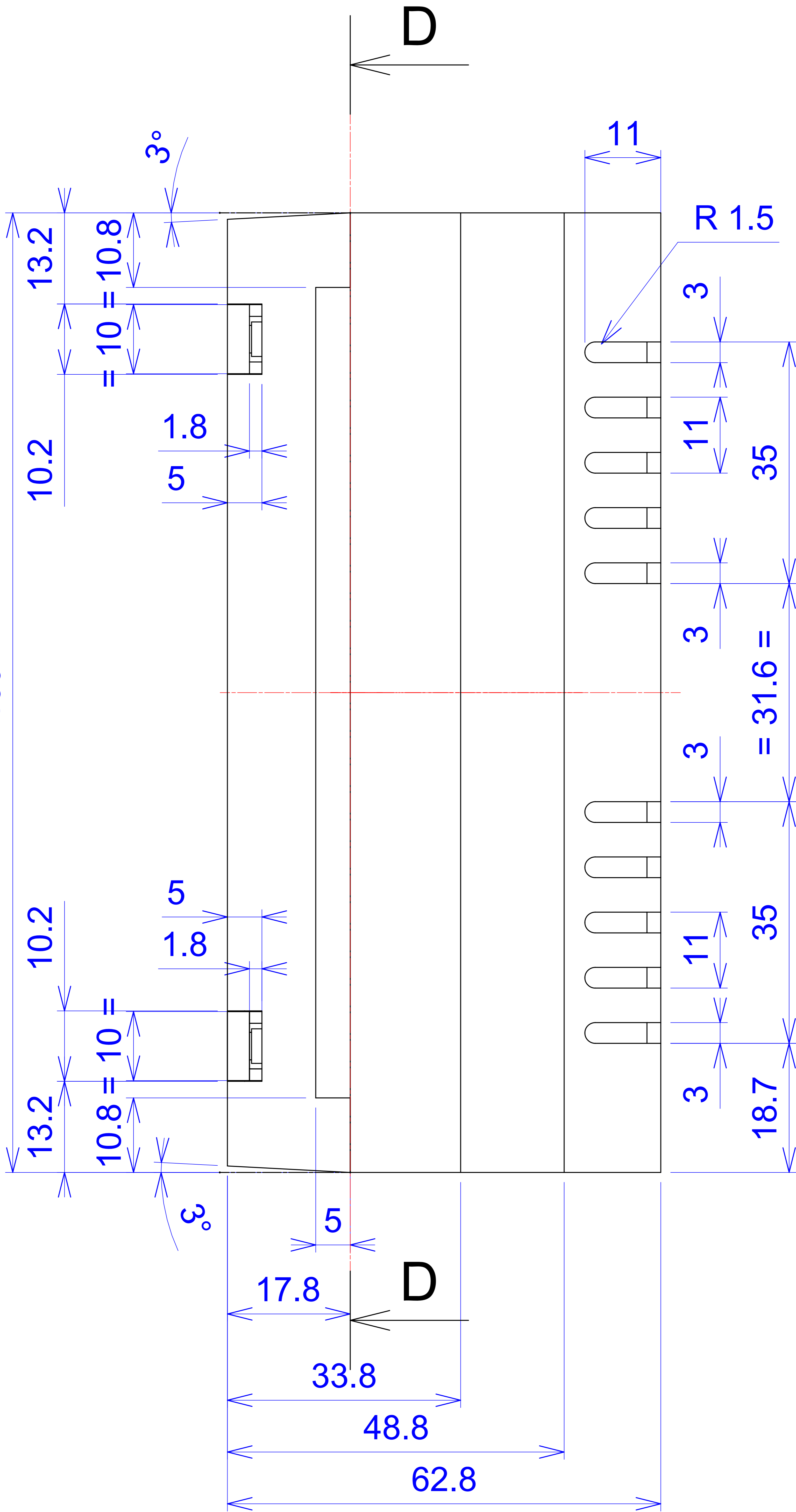
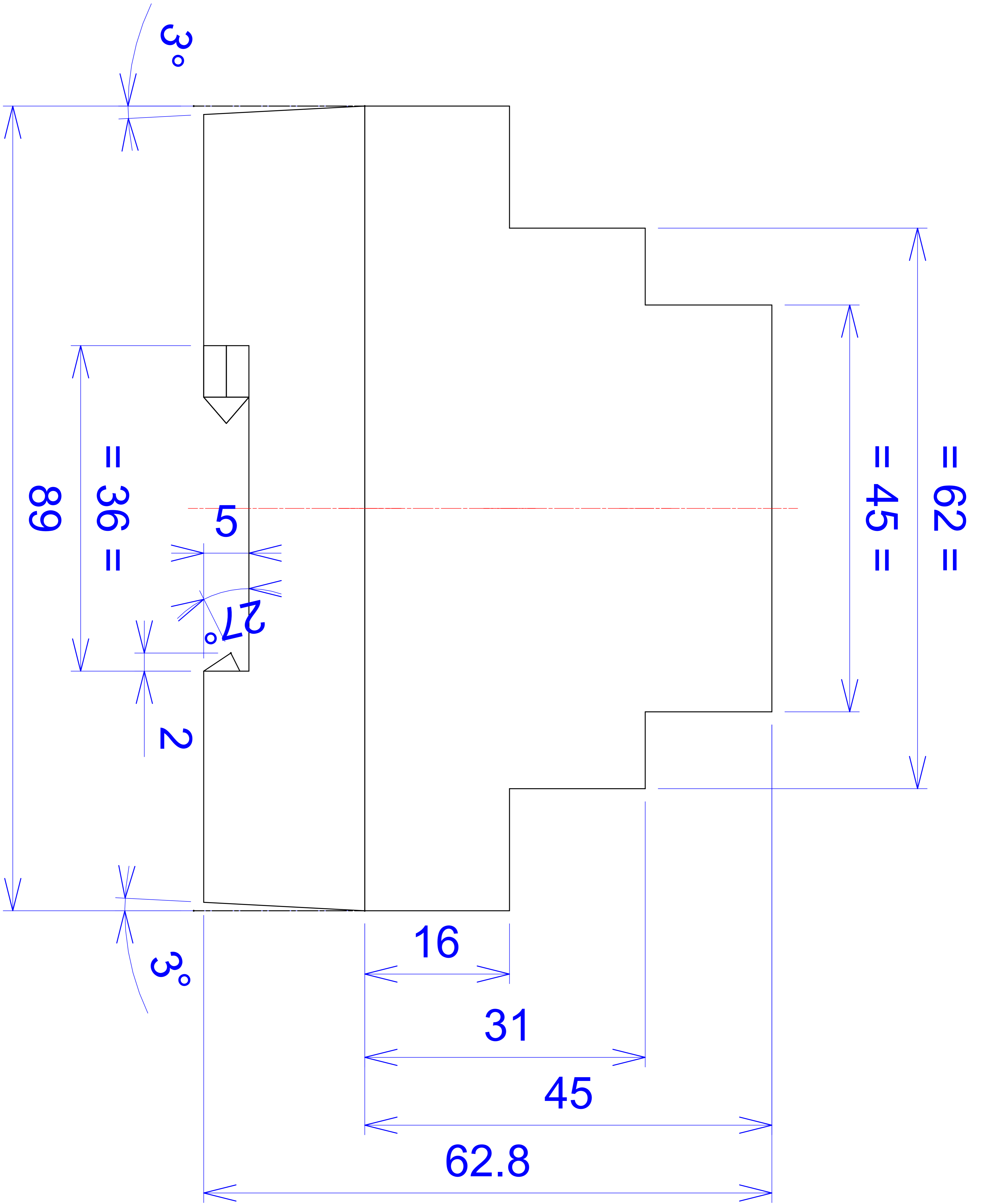
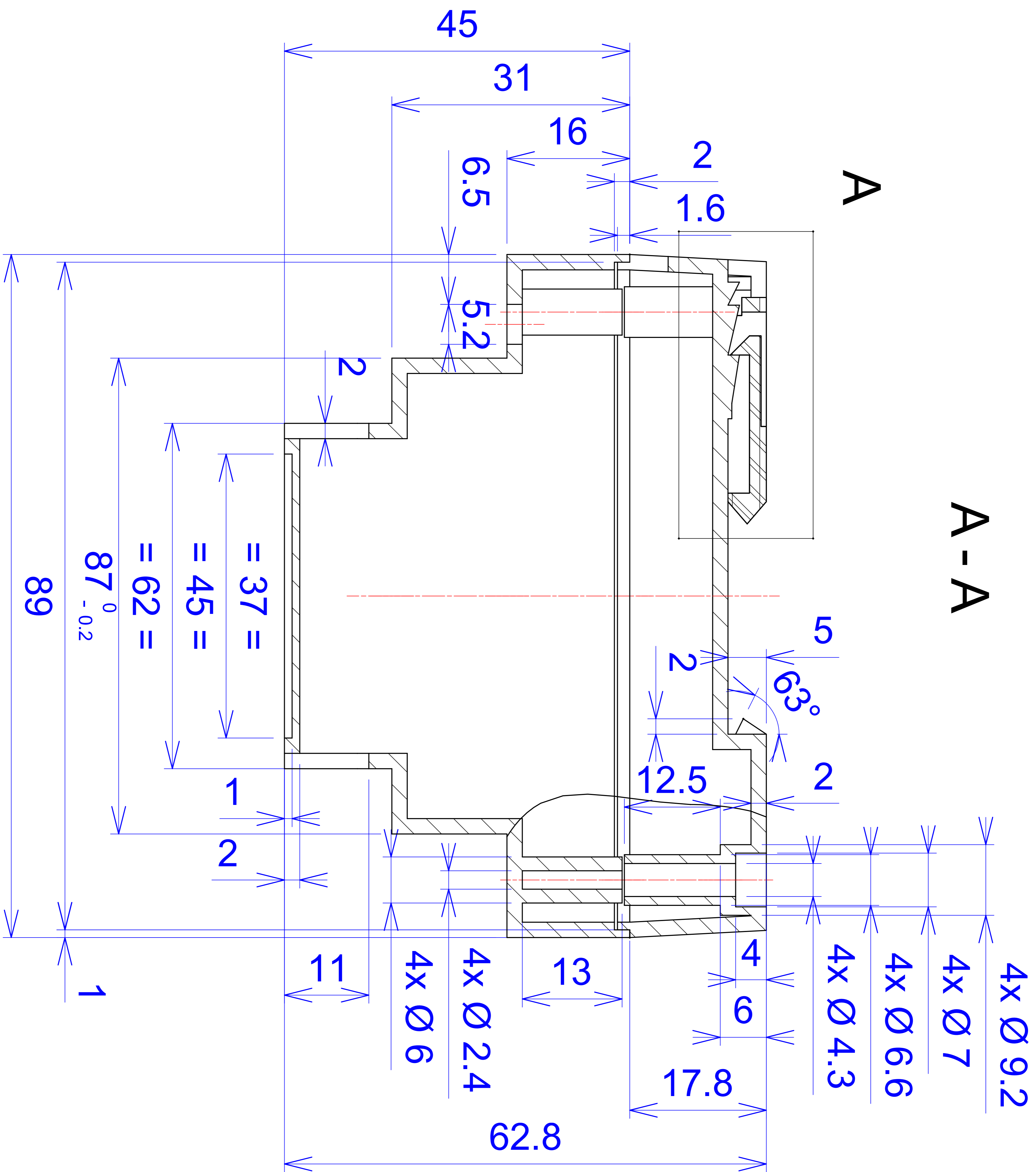


139







4x Ø 2.4
4x Ø 4.3

4x Ø 7

7.5

5

9.3

2

4

124

18.3

102.4

139

4

2

9.3

5

= 36 =

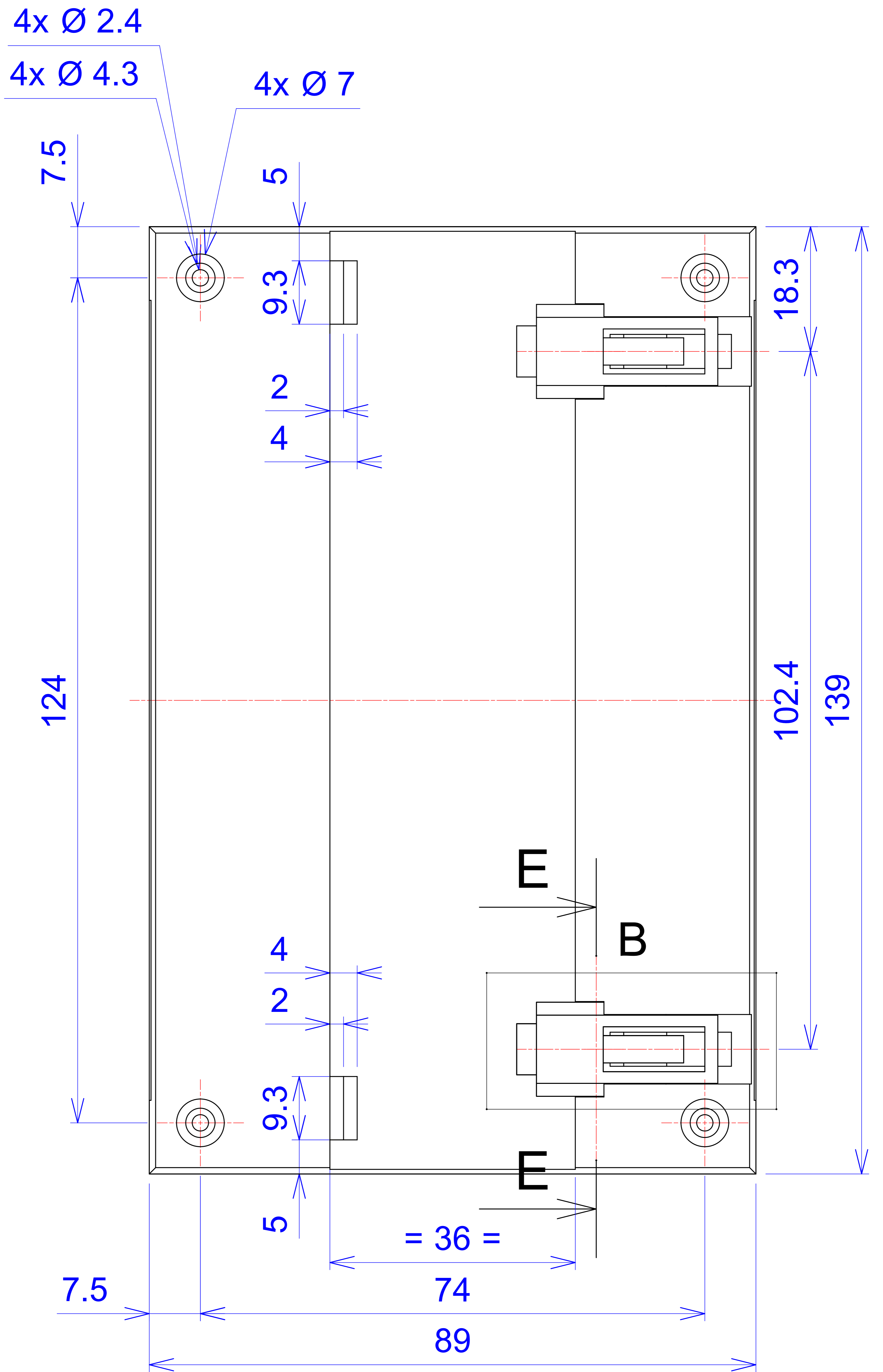
74

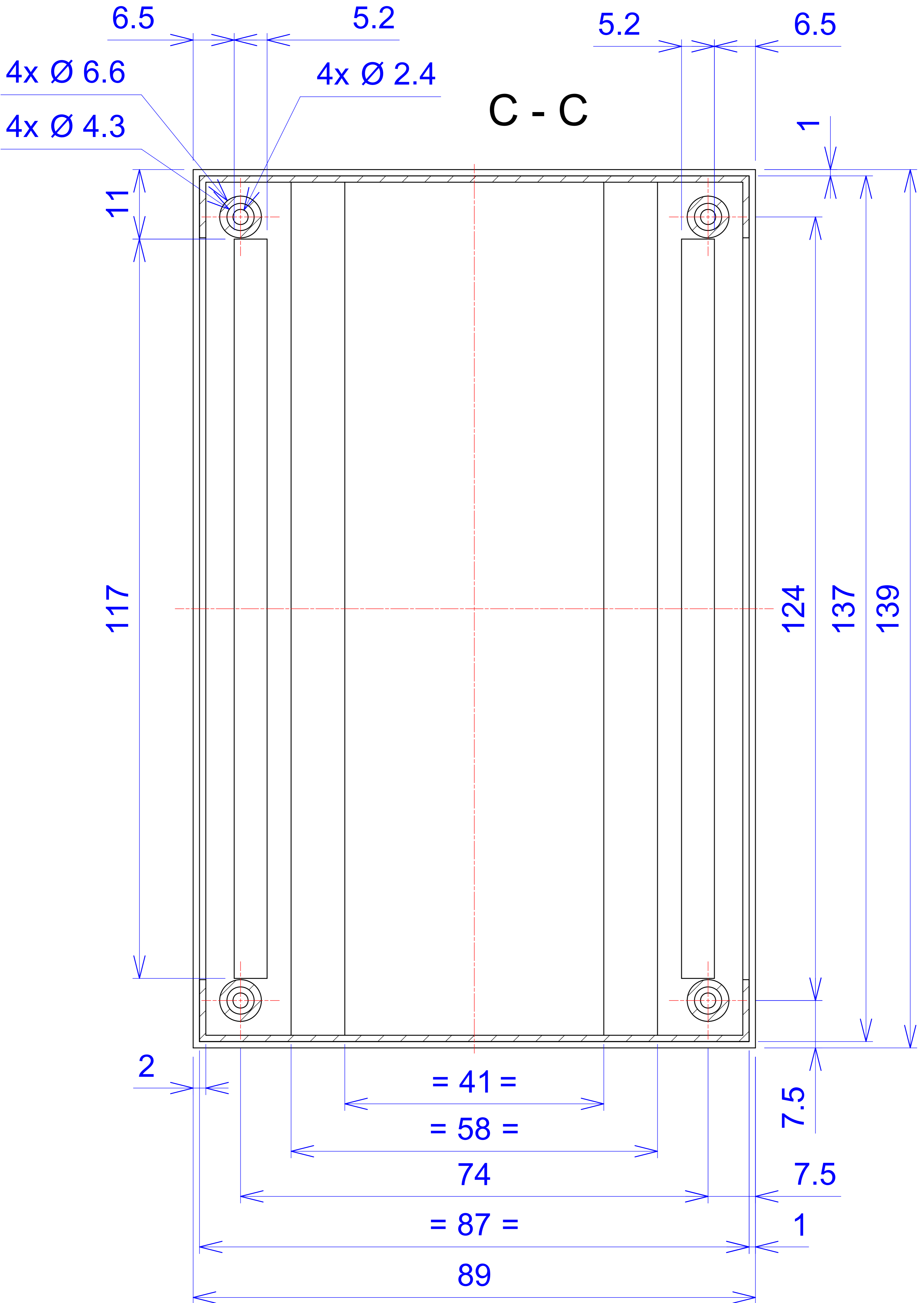
89

Γ

B

Γ





D - D

