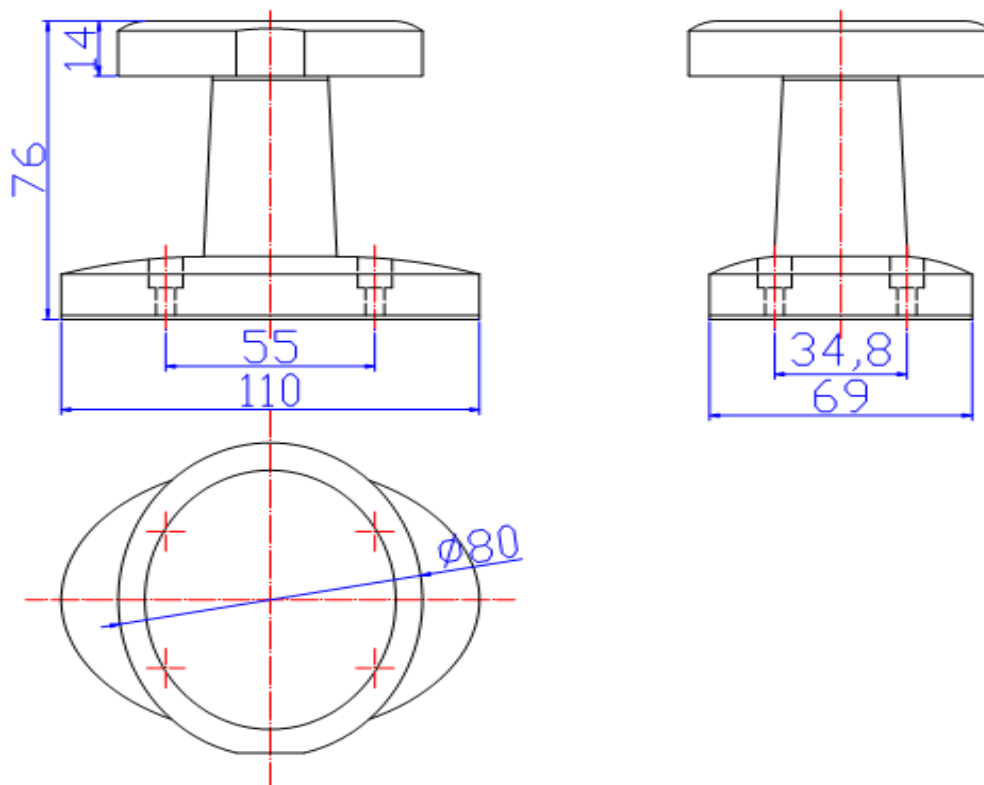


## GSM + GSM Combination Antenna

Model : COMBO-ANT013



### DIMENSIONS



## SPECIFICATIONS

No.	Item	Specifications	Post Environmental Tolerance
1	Center Frequency	1575.42 MHz	±3 MHz
2	Band Width	±5 MHz	±1 MHz
3	<u>V.S.W.R</u> (in <u>BW</u> )	1.5 : 1	—
4	Gain (Zenith)	3 dB	±0.5 dB
5	Polarization	<u>RHCP</u>	—
6	Impedance	50 $\Omega$	—
No.	Item	Specifications	Post Environmental Tolerance
1	<u>LNA</u> Gain	±2.5 dB	
2	Noise Figure	1.5 dB	—
3	Filter Out Band Attenuation	12dB_Min_f0+50MHz 16dB_Min_f0-50MHz	±1.0 dB
4	DC Voltage	2.2~5 V	
5	DC Current	5~15 <u>mA</u>	

No.	Item	Specifications
1	Frequency	824~894 MHz/1710~1990 MHz 880~960 MHz/1710~1990 MHz
2	<u>V.S.W.R</u> (5m)	≤2.0 : 1
3	Gain (Zenith)	2 <u>dB</u> <sub>i</sub>
4	Impedance	50 $\Omega$
No.	Item	Specification
1	Cable	RG174 3m/5m or others
2	Connector	<u>SMA/SMB/MCX</u> or others
3	Plastic Housing	White
4	Mounting	Screw