




Product information CM 06 SD 20

Industrial Connecting Solutions: Circular Connectors: MIL, DIN, Universal Connectors: MIL-C-5015 or VG 95342 Connectors (CM series): Accessories CM-series: CM 06 SD 20

<http://www.e-catalog.beldensolutions.com/link/57078-24228-256281-256284-24363-24366-36224/en/conf/ui/state>

Name	CM 06 SD 20
	
	Cap for cable sockets
Delivery informations	
Availability	available
Product description	
Description	Cap for cable sockets
Type	CM 06 SD 20
Order No.	831 767-100
Number of contacts	for 7, 8, 14, 17
Housing Color	black
Technical data	
Type of termination	screw
Material	
Housing material	PA 66-GF 25
Environmental conditions	
Temperature range	-40 °C to +90 °C
Packing unit	
Packaging unit	100 pieces
Scope of delivery and accessories	
Scope of delivery	1 cap with external thread, nylon loop
Accessories to order separately	can be plugged into CM 06 EA 20-...



HIRSCHMANN

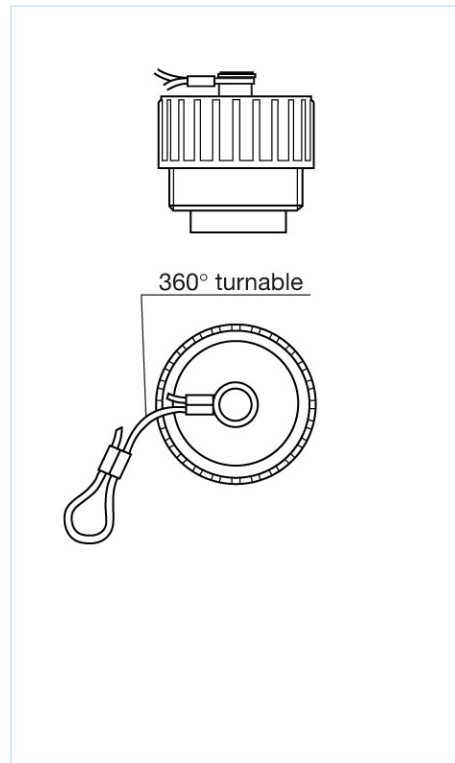
A BELDEN BRAND

Industrial Connecting Solutions: Circular Connectors: MIL, DIN, Universal Connectors: MIL-C-5015 or VG 95342 Connectors (CM series): Accessories CM-series: CM 06 SD 20

<http://www.e-catalog.beldensolutions.com/link/57078-24228-256281-256284-24363-24366-36224/en/conf/ui/state>

Picture

Drawing



Belden Deutschland GmbH

Im Gewerbepark 2

58579 Schalksmühle

Germany

Phone: +49 7127/14-1806

E-Mail: icos-sales@belden.com

The information published in the websites has been compiled as carefully as possible. It is subject to alteration without notice in technical as well as in price-related/commercial respect. The complete information and data were available on user documentation. Mandatory information can only be obtained by a concrete query.