




## Product information CM 02 SD 20

Industrial Connecting Solutions: Circular Connectors: MIL, DIN, Universal Connectors: MIL-C-5015 or VG 95342 Connectors (CM series): Accessories CM-series: CM 02 SD 20

<http://www.e-catalog.beldensolutions.com/link/57078-24228-256281-256284-24363-24366-36162/en/conf/ui/state>

Name	CM 02 SD 20
	
	Cap for surface mounted connector
<b>Delivery informations</b>	
Availability	available
<b>Product description</b>	
Description	Cap for surface mounted connector
Type	CM 02 SD 20
Order No.	831 766-100
Number of contacts	for 7, 8, 14, 17
Housing Color	black
<b>Technical data</b>	
Type of termination	screw
<b>Material</b>	
Housing material	PA 66-GF 25
<b>Environmental conditions</b>	
Temperature range	-40 °C to +90 °C
<b>Packing unit</b>	
Packaging unit	100 pieces
<b>Scope of delivery and accessories</b>	
Scope of delivery	cap with internal thread, nylon loop
Accessories to order separately	can be plugged into CM 02 E 20-..., CM 02 L 20-...



# HIRSCHMANN

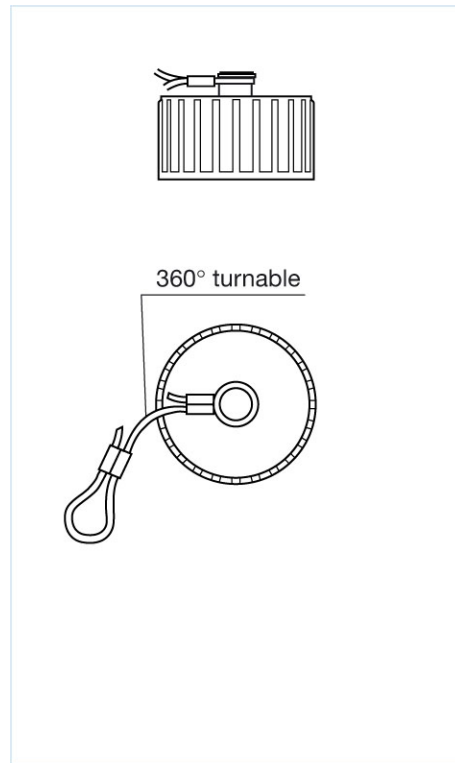
A BELDEN BRAND

Industrial Connecting Solutions: Circular Connectors: MIL, DIN, Universal Connectors: MIL-C-5015 or VG 95342 Connectors (CM series): Accessories CM-series: CM 02 SD 20

<http://www.e-catalog.beldensolutions.com/link/57078-24228-256281-256284-24363-24366-36162/en/conf/ui/state>

Picture

Drawing



**Belden Deutschland GmbH**

Im Gewerbepark 2

58579 Schalksmühle

Germany

Phone: +49 7127/14-1806

E-Mail: [icos-sales@belden.com](mailto:icos-sales@belden.com)

The information published in the websites has been compiled as carefully as possible. It is subject to alteration without notice in technical as well as in price-related/commercial respect. The complete information and data were available on user documentation. Mandatory information can only be obtained by a concrete query.