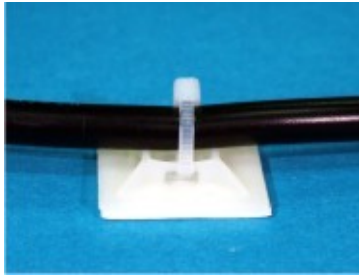
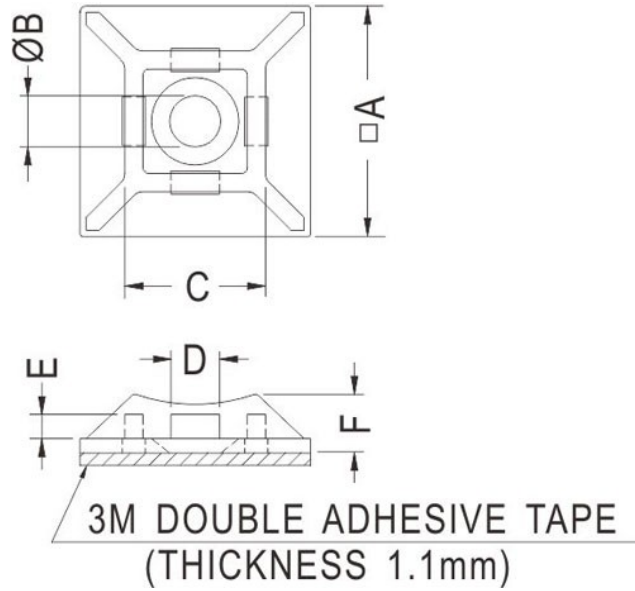


CM



- ◆ MATERIAL: NYLON 66(UL)
- ◆ FLAME CLASS: 94V-2
- ◆ COLOR: NATURAL
- ◆ UNIT: mm



PART NO	A	B	C	D	E	F
CM-19S	19.0	4.0	11.6	4.0	1.9	5.0
CM-28	27.8	5.6	13.2	5.6	2.0	5.5