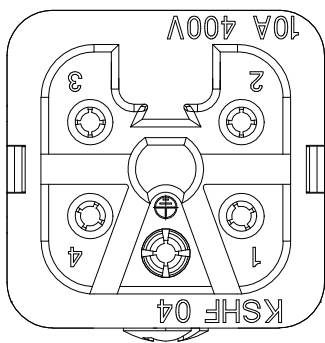
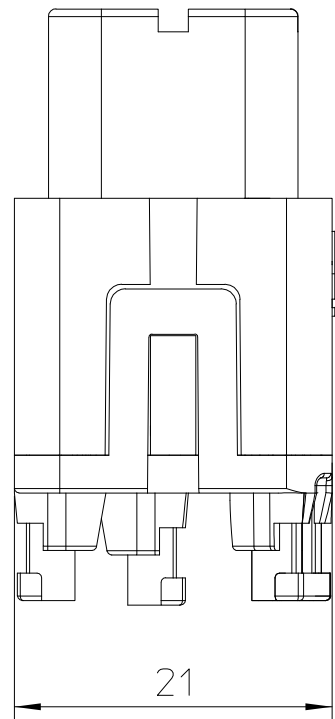
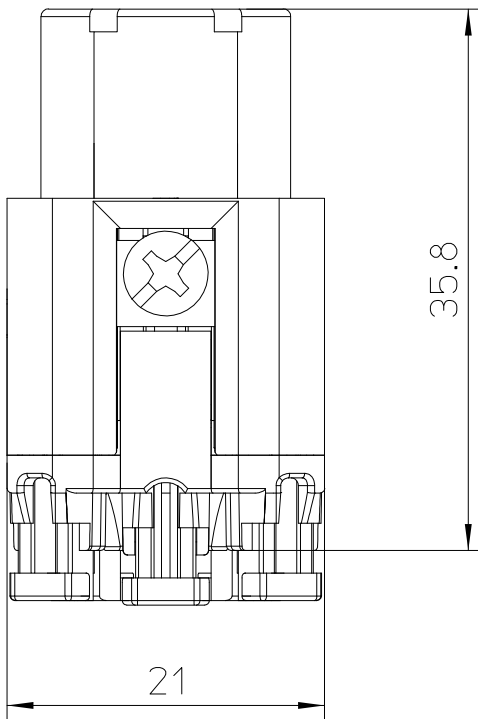
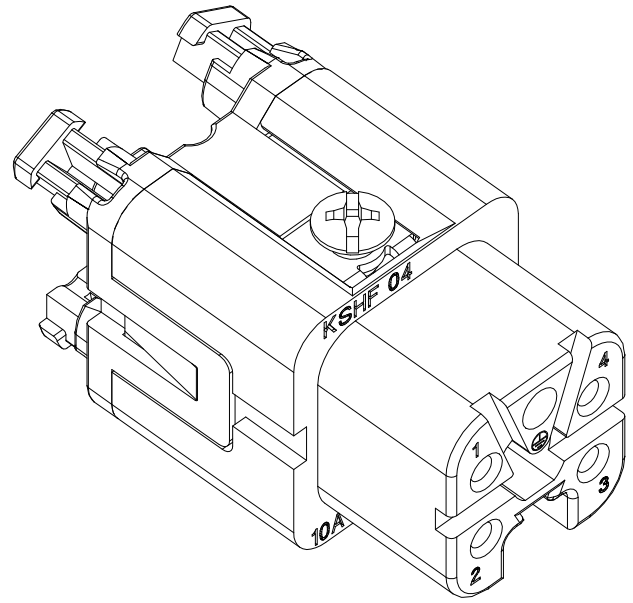
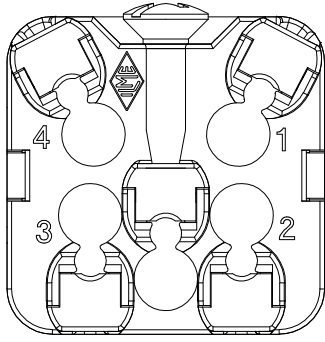


Diritti riservati All rights reserved




dimensions in mm
Date 13/10/16
Sign. C. Mainini

**CKSHF 04**  
**SQUICH female insert, spring, 04P 10A 400V**

Scale  
2:1

