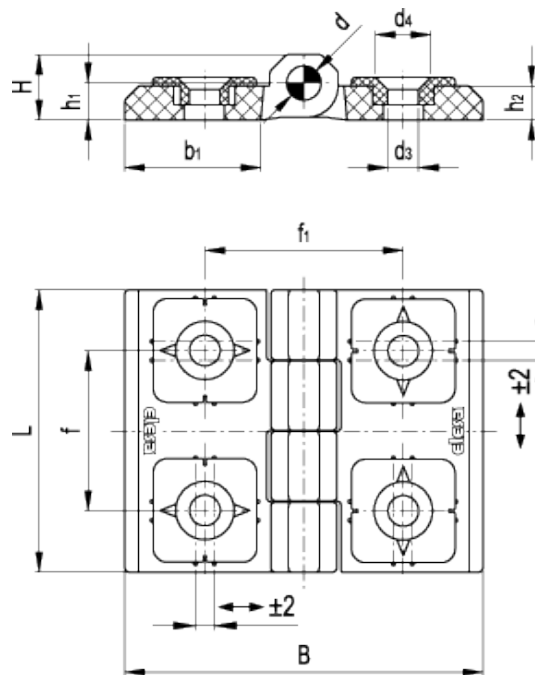


CFR.

Adjustable hinge



FM Design



technical informations

Material

Glass-fibre reinforced polyamide based (PA) technopolymer. Resistant to solvents, oils, greases and other chemical agents.

Colour

Black, matte finish.

Adjusting inserts

Technopolymer, black colour.

Rotation pin

AISI 303 stainless steel.

Assembly

Through holes for M6 countersunk-head screws.

Features and applications

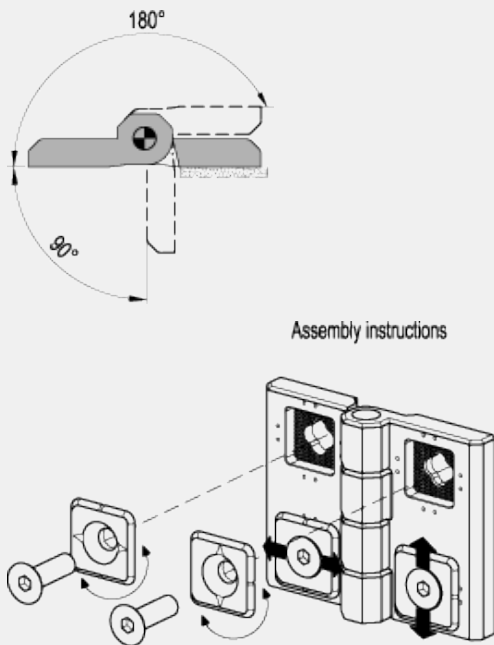
The adjusting inserts (ELESA patent) are designed to compensate limited misalignments of doors. Vertical and horizontal adjustments are both possible by simply setting the orientation of the inserts. The knurling on the hinge body holes and on the rear of the inserts avoid any accidental offset of the coupling during the assembly of the hinge so as to offer a secure mounting. A single product code to compensate vertical, horizontal or both misalignments.

Rotation angle

Max 270°, between 0° and -90° and between 0° and 180°

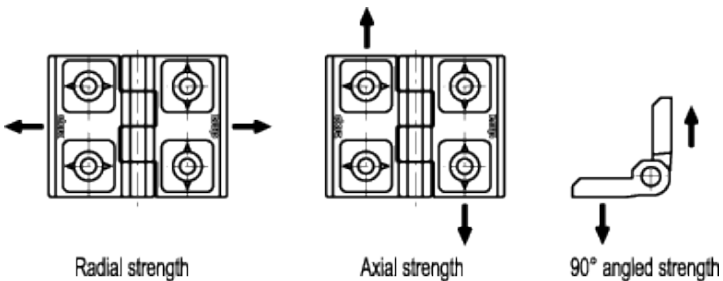
(0° = condition where the two interconnected surfaces are on the same plane).

Do not exceed the rotation angle limit (see drawing) so as not to prejudice the hinge mechanical performance.



To choose the convenient type and the right number of hinges for your application, see the [Guidelines](#).

Standard Elements		Main dimensions									Mounting holes		Weight
Code	Description	L	B	f	f ₁	H	h ₁	h ₂	b ₁	d	d ₃	d ₄	g
426431	CFR.60 SH-6	60	75	34	42	16	9.5	8	29.5	8	6.5	12.5	72



Resistance tests		AXIAL STRENGTH	RADIAL STRENGTH	90° ANGLED STRENGTH	Tightening torque [Nm]
Code	Description	Max limit static load Sa [N]	Max limit static load Sr [N]	Max limit static load S90 [N]	SH
426431	CFR.60 SH-6	1800	2700	2130	5



STANDARD MACHINE ELEMENTS WORLDWIDE