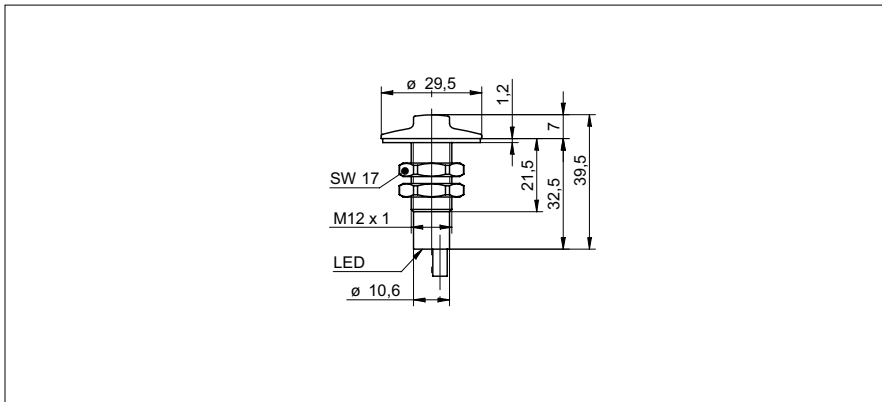


Capacitive proximity sensors

CFAK 12N1140/L

dimension drawing



photo



general data

| | |
|--------------------------------|------------------------------------|
| special type | liquid level sensor for wastewater |
| nominal sensing distance S_n | 0,1 mm |
| mounting type | non-flush |
| GND electrode | no |
| temperature drift | $\pm 20 \%$ |
| sensitivity adjustment | no |
| output indicator | LED yellow |
| measurement type | contact with medium |

electrical data

| | |
|------------------------------------|------------------------|
| voltage supply range +Vs | 10 ... 30 VDC |
| current consumption max. (no load) | 12 mA |
| output circuit | NPN make function (NO) |
| output current | < 200 mA |
| voltage drop Vd | < 2,5 VDC |
| switching frequency | < 15 Hz |
| short circuit protection | yes |
| reverse polarity protection | yes |

mechanical data

| | |
|----------------------|----------------------|
| type | cylindrical threaded |
| housing material | POM |
| material (screw nut) | POM |
| material (gasket) | EPDM50 |
| dimension | 12 mm |
| housing length | 39,5 mm |
| connection types | cable, 2 m |

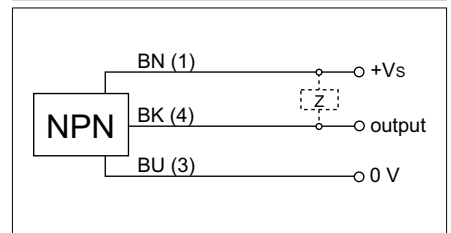
ambient conditions

| | |
|-----------------------|--------------|
| operating temperature | 0 ... +50 °C |
| protection class | IP 67 |

field of application

| | |
|--|-----|
| detection of non-conductive media | no |
| fill level detection through container | no |
| liquids in direct contact | yes |
| object detection / bulk goods | no |

connection diagram



- for installation in grounded metal container
- for use in contaminated media like blackwater
- switches in contact with highly conductive media