

CB TM1 5A SFB P - Thermomagnetic device circuit breaker



2800840

<https://www.phoenixcontact.com/pl/produkty/2800840>

Please be informed that the data shown in this PDF document is generated from our online catalog. Please find the complete data in the user documentation. Our general terms of use for downloads are valid.



Thermomagnetic device circuit breaker, 1-pos., tripping characteristic SFB, 1 changeover contact, plug for base element.

Your advantages

- Individually adjustable with protective plugs
- Fuse protection for above-average conductor lengths with the aid of the SFB characteristic curve
- Protective plug with fixed nominal current value as protection against unintentional changes
- Increased safety with electrical isolation in the event of errors
- Modular expansion possible thanks to the uniform, plug-in housing concept
- Compact design with precise nominal current levels
- Sophisticated remote signaling concept enables monitoring from any location
- Maximum overcurrent protection across long cable paths via SFB trigger characteristic
- Supply/remote signaling can be bridged with CLIPLINE complete accessories

Commercial data

Item number	2800840
Packing unit	1 pc
Minimum order quantity	1 pc
Sales key	CLA124
Product key	CLA124
Catalog page	Page 311 (C-4-2019)
GTIN	4046356689915
Weight per piece (including packing)	44 g
Weight per piece (excluding packing)	27.46 g
Customs tariff number	85362010
Country of origin	ID

CB TM1 5A SFB P - Thermomagnetic device circuit breaker



2800840

<https://www.phoenixcontact.com/pl/produkty/2800840>

Technical data

Notes

General	When mounted in rows, the nominal device current can be limited to just 80% or must be overdimensioned accordingly.
---------	---

Product properties

Type	Male
Product type	Thermomagnetic device circuit breakers
Product family	CB TM
Number of positions	1
No. of channels	1

Insulation characteristics

Degree of pollution	2
---------------------	---

Electrical properties

Fuse type	Automatic device
-----------	------------------

General

Rated voltage	50 V DC (IEC 60934)
	50 V DC (UL 1077)
	50 V DC (UL 508 - with plug-in base)
Rated insulation voltage U_i	277 V AC (UL 1077)
	250 V AC (IEC 60934)
Rated current I_N	5 A (IEC 60934)
	5 A DC (low-induction load according to UL 1077)
	5 A DC (low-induction load according to UL 508 - with plug-in base)
Rated surge voltage	2.5 kV (Increased insulation in actuation area)
Insulation resistance R_{iso}	> 100 M Ω (500 V DC)
Auxiliary circuit	277 V AC / 0.5 A (Low-induction)
	277 V AC / 1 A (Low-induction, maximum of 2000 cycles)
	50 V DC / 1 A (Low-induction)
Type of actuation	S type
Tripping method	TM (thermomagnetic)
Tripping level	Trip-free mechanism (positive)
Device resistance	60 m Ω
Required backup fuse	20 A ($I > I_{cn}$)
Rated short-circuit switching capacity I_{cn}	600 A (50 V DC)
Short-circuit switching capacity	1000 A AC (277 V AC)
	1000 A DC (50 V DC)
Dielectric strength	3000 V AC (Actuation area)
	1500 V AC (Main to auxiliary circuit)
	1500 V AC (Open main circuit)

CB TM1 5A SFB P - Thermomagnetic device circuit breaker

2800840

<https://www.phoenixcontact.com/pl/produkty/2800840>

	1000 V AC (Open auxiliary circuit)
Switching cycles, max.	6000 (at 1 x I _n)
Fuse	SFB
Power dissipation	1.5 W (in nominal operation per channel)
Voltage drop	0.31 V (at 1 x I _n)

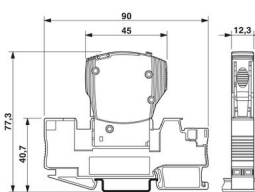
Auxiliary contact

Minimum operating voltage U _{min} DC	10 V
Maximum operating voltage U _{max} DC	240 V
Maximum operating voltage U _{max} AC	240 V
Minimum operating current I _{min}	10 mA
Max. operating current I _{max}	1 A

Connection data

Connection method	pluggable
Connection method	pluggable

Dimensions

Dimensional drawing	
Width	12.3 mm
Height	45 mm
Depth	52 mm
Complete module width	12.3 mm
Complete module height	90 mm
Complete module depth	77.3 mm

Material specifications

Color	gray (RAL 7042)
	black (RAL 9005)
Flammability rating according to UL 94	V-0
Insulating material group	II

Mechanical properties

Mechanical data

Open side panel	No
-----------------	----

Environmental and real-life conditions

Ambient conditions

Degree of protection	IP30 (Actuation area)
----------------------	-----------------------

CB TM1 5A SFB P - Thermomagnetic device circuit breaker



2800840

<https://www.phoenixcontact.com/pl/produkty/2800840>

Ambient temperature (operation)	-30 °C ... 60 °C
Ambient temperature (storage/transport)	-40 °C ... 80 °C
Humidity test	240 h, 95 % RH, 40 °C
Shock (operation)	30g (IEC 60068-2-27, Test Ea)
Vibration (operation)	8g (IEC 60068-2-6, Test Fc)

Approvals

UL approval

Identification	UL Listed UL 508
	UL/C-UL Recognized UL 1077

CSA

Identification	CSA CAN/CSA-C22.2 No. 235-04
----------------	------------------------------

Shipbuilding approval

Identification	DNV GL
----------------	--------

Standards and regulations

Standards/specifications	EN 60934
--------------------------	----------

Mounting

Mounting type	on base element
Connection method	pluggable

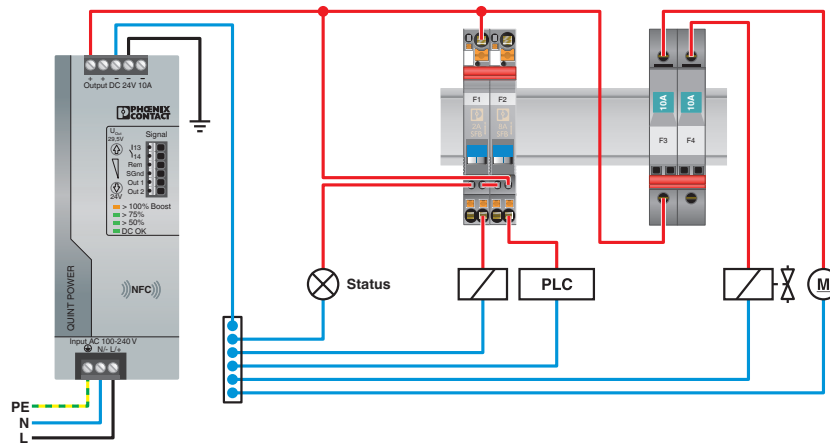
CB TM1 5A SFB P - Thermomagnetic device circuit breaker

2800840

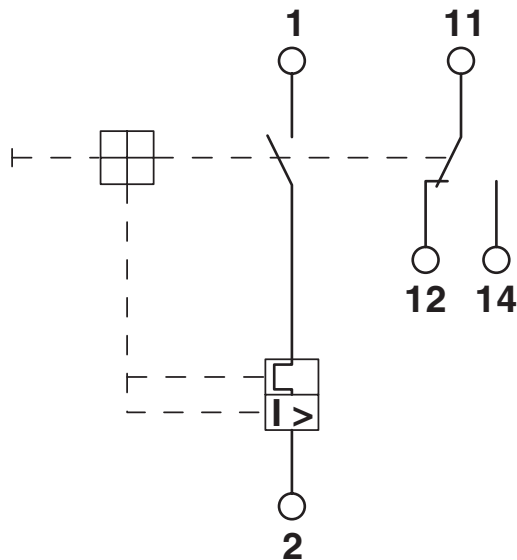
<https://www.phoenixcontact.com/pl/produkty/2800840>

Drawings

Application drawing



Circuit diagram

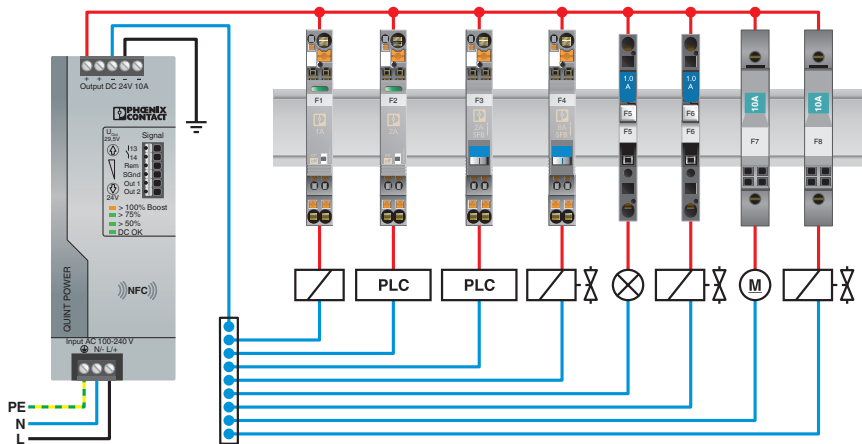


CB TM1 5A SFB P - Thermomagnetic device circuit breaker

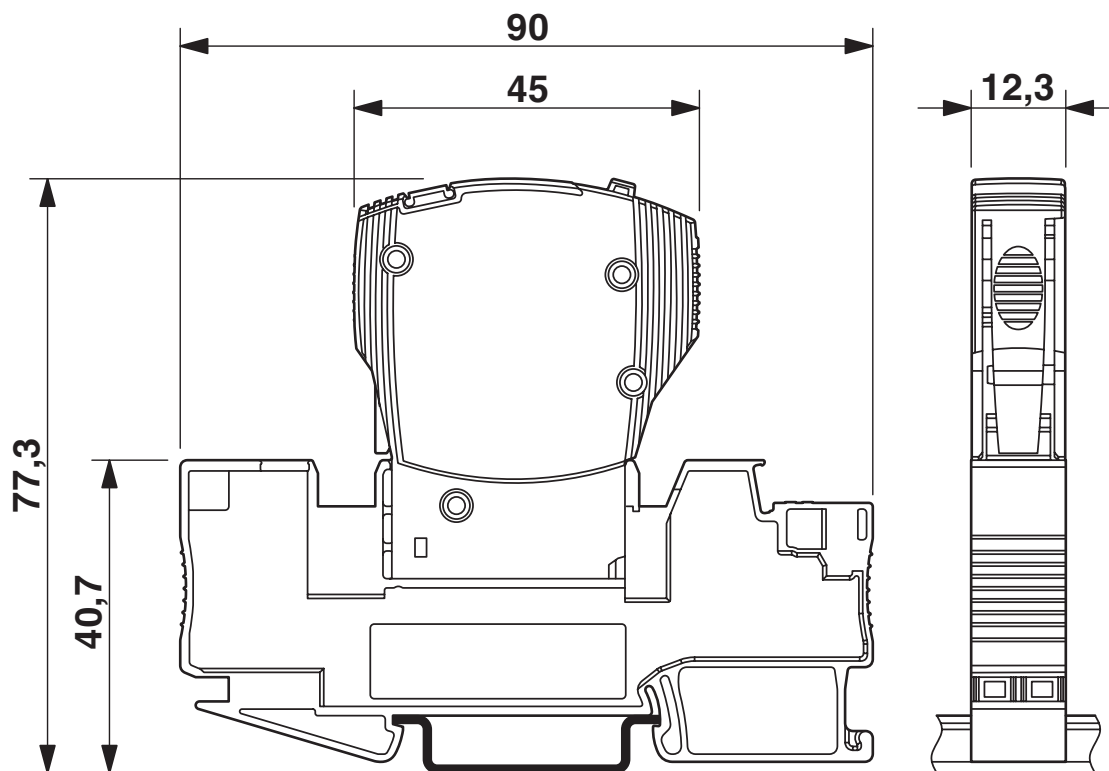
2800840

<https://www.phoenixcontact.com/pl/produkty/2800840>

Application drawing



Dimensional drawing

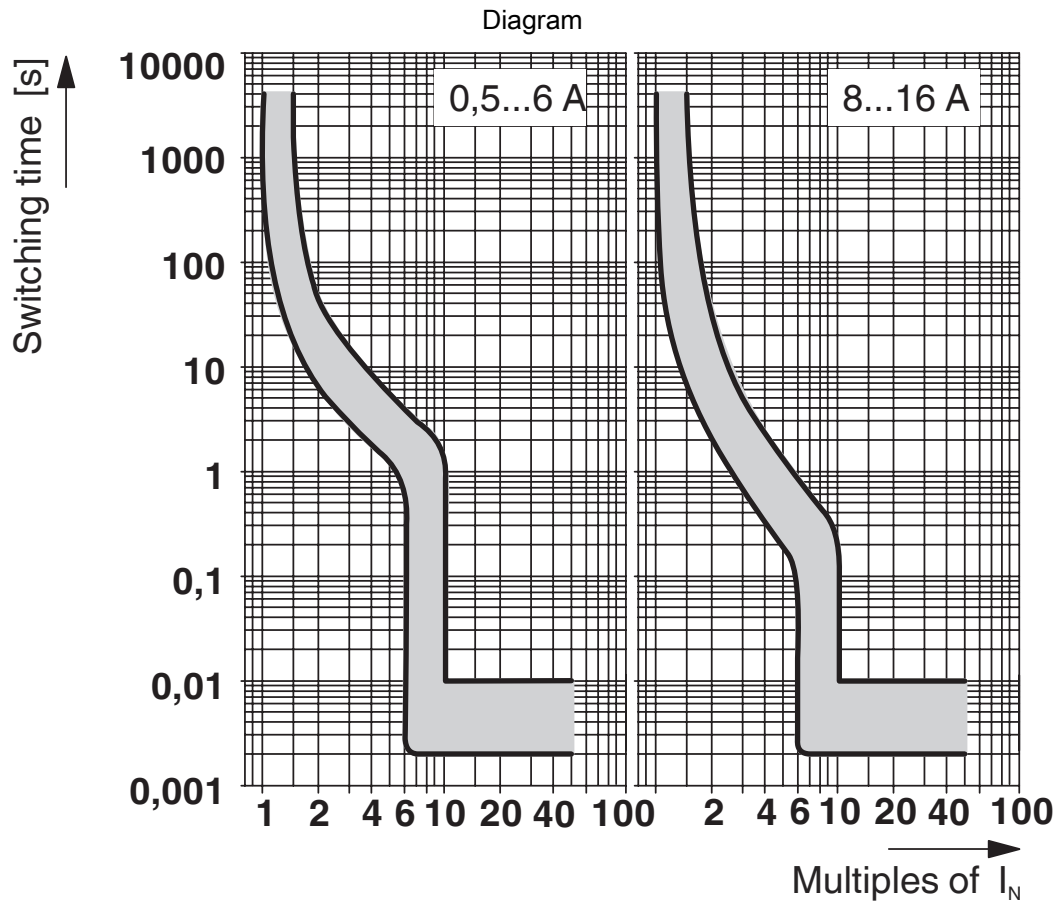


The figure shows the complete module consisting of a base element and connector

CB TM1 5A SFB P - Thermomagnetic device circuit breaker

2800840

<https://www.phoenixcontact.com/pl/produkty/2800840>



Trigger characteristic in the DC range

CB TM1 5A SFB P - Thermomagnetic device circuit breaker



2800840

<https://www.phoenixcontact.com/pl/produkty/2800840>

Approvals

To download certificates, visit the product detail page: <https://www.phoenixcontact.com/pl/produkty/2800840>



cUL Recognized
Approval ID: FILE E 140459



UL Recognized
Approval ID: FILE E 140459



EAC
Approval ID: EAC-Zulassung



DNV GL
Approval ID: TAE00003C7



EAC
Approval ID: RU C-DE.*09.B.00169



VDE Zeichengenehmigung
Approval ID: 40034683



UL Listed
Approval ID: FILE E 172140



CCC
Approval ID: 2019010307158887



CSA
Approval ID: 2786957



cUL Listed
Approval ID: FILE E 172140



KC
Approval ID: SW05012-15002

CB TM1 5A SFB P - Thermomagnetic device circuit breaker



2800840

<https://www.phoenixcontact.com/pl/produkty/2800840>

UAE-RoHS

Approval ID: 22-09-50937

cULus Recognized

cULus Listed

CB TM1 5A SFB P - Thermomagnetic device circuit breaker



2800840

<https://www.phoenixcontact.com/pl/produkty/2800840>

Classifications

ECLASS

ECLASS-11.0	27140401
ECLASS-12.0	27140401
ECLASS-13.0	27140401

ETIM

ETIM 9.0	EC003538
----------	----------

UNSPSC

UNSPSC 21.0	39121400
-------------	----------

CB TM1 5A SFB P - Thermomagnetic device circuit breaker



2800840

<https://www.phoenixcontact.com/pl/produkty/2800840>

Environmental product compliance

China RoHS	Environmentally friendly use period: unlimited = EFUP-e
	No hazardous substances above threshold values

CB TM1 5A SFB P - Thermomagnetic device circuit breaker

2800840

<https://www.phoenixcontact.com/pl/produkty/2800840>

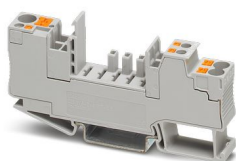
Mandatory accessories

CB 1/6-2/4 PT-BE - Base element

2800929

<https://www.phoenixcontact.com/pl/produkty/2800929>

Base element with push-in connection technology for CB ... device circuit breakers

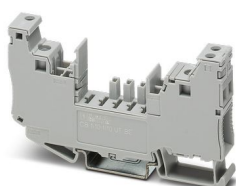


CB 1/10-1/10 UT-BE - Base element

2801305

<https://www.phoenixcontact.com/pl/produkty/2801305>

Base element with screw connection technology for CB... device circuit breakers



CB TM1 5A SFB P - Thermomagnetic device circuit breaker



2800840

<https://www.phoenixcontact.com/pl/produkty/2800840>

CB S-BE - Base element

2905067

<https://www.phoenixcontact.com/pl/produkty/2905067>



Solder base element for PCB mounting for accommodating CB TM... or CB E... device circuit breakers

Accessories

ZBF 12:UNBEDRUCKT - Zack Marker strip, flat

0809735

<https://www.phoenixcontact.com/pl/produkty/0809735>



Zack Marker strip, flat, Strip, white, unlabeled, can be labeled with: PLOTMARK, CMS-P1-PLOTTER, mounting type: snapped, for terminal block width: 12 mm, lettering field size: 5.15 x 12.15 mm, Number of individual labels: 5

CB TM1 5A SFB P - Thermomagnetic device circuit breaker



2800840

<https://www.phoenixcontact.com/pl/produkty/2800840>

ZBF 12 CUS - Zack Marker strip, flat

0825018

<https://www.phoenixcontact.com/pl/produkty/0825018>



Zack Marker strip, flat, can be ordered: Strip, white, labeled according to customer specifications, mounting type: snap into flat marker groove, for terminal block width: 12 mm, lettering field size: 5.15 x 12.15 mm, Number of individual labels: 5

Phoenix Contact 2024 © - all rights reserved

<https://www.phoenixcontact.com>

PHOENIX CONTACT Sp. z o.o.

ul. Bierutowska 57-59, Budynek nr 3/A

51-317 Wrocław

71/ 39 80 410

pxcpl@phoenixcontact.pl