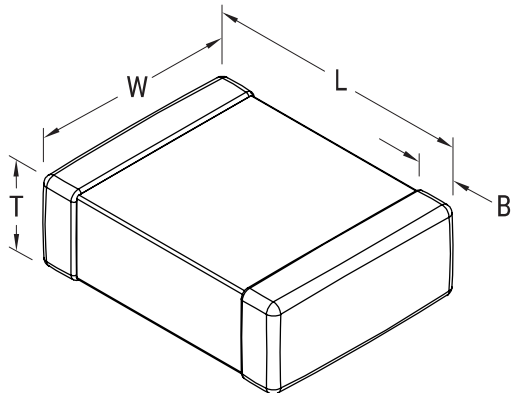


**KEMET Part Number: C2220X226K3RACTU**  
(C2220X226K3RAC7800)

SMD Comm X7R Flex, Ceramic, 22 uF, 10%, 25 VDC, X7R, SMD, MLCC, FT-CAP, Temperature Stable, 2220



**Dimensions**

Dimensions	
Chip Size	2220
L	5.9mm +/-0.75mm
W	5mm +/-0.4mm
T	2.4mm +/-0.15mm
B	0.7mm +/-0.35mm

**Packaging Specifications**

Packaging:	T&R, 180mm, Plastic Tape
Packaging Quantity:	500

**General Information**

Series:	SMD Comm X7R Flex
Style:	SMD Chip
Description:	SMD, MLCC, FT-CAP, Temperature Stable
Features:	FT-CAP, Temperature Stable
RoHS:	Yes
Termination:	Flexible Termination
Marking:	No
AEC-Q200:	No
Miscellaneous:	Note: Referee time for X7R dielectric for this part number is 1000 hours
Shelf Life:	78 Weeks
MSL:	1

**Specifications**

Capacitance:	22 uF
Capacitance Tolerance:	10%
Voltage DC:	25 VDC
Dielectric Withstanding Voltage:	62.5 VDC
Temperature Range:	-55/+125°C
Temperature Coefficient:	X7R
Capacitance Change with Reference to +25°C and 0 VDC Applied (TCC):	15%, 120Hz 0.5Vrms
Dissipation Factor:	3.50% 120Hz 0.5Vrms
Aging Rate:	3% Loss/Decade Hour
Insulation Resistance:	23 MOhms