

heavy|mate® - C146 Housings Hood

Part No. C146 10G006 500 1

Series Heavy duty connectors heavy|mate® - C 146

Subseries Heavy duty connector heavy|mate® - C146 Housings



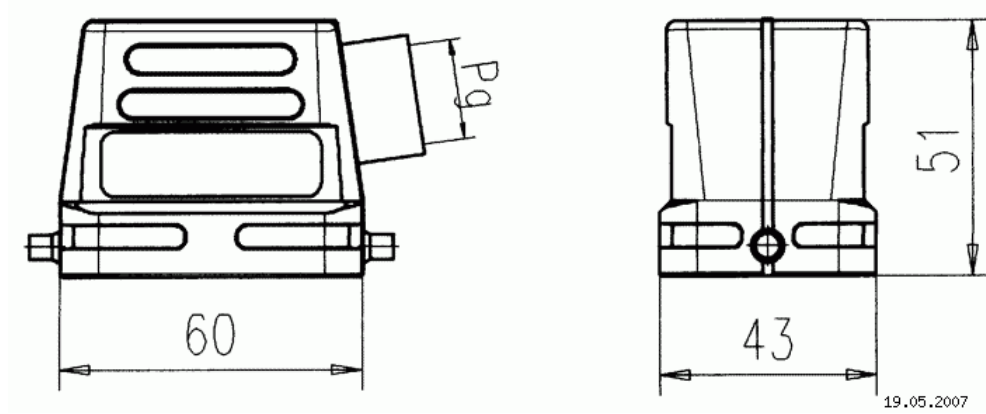
| COMMON CHARACTERISTICS | | |
|--------------------------------|--|-----------------------|
| Cable entry | | Side |
| IP degree of protection | | IP 65 |
| Thread | | PG 13.5 |
| Version | | low profile |
| Housing type | | Hood |
| Insert type | | Hood |
| Protective cover | | PA |
| ELECTRICAL CHARACTERISTICS | | |
| Contact resistance | DIN EN 60512-2-1, Test 2a / IEC 60512-2-1, Test 2a | 0 m |
| CLIMATICAL CHARACTERISTICS | | |
| Temperature range | | - 40 °C / + 100 °C |
| Upper temperature | | + 100 °C / 1000 h |
| Lower temperatur | | - 40 °C / 16 h |
| MECHANICAL CHARACTERISTICS | | |
| Mechanical lifetime (standard) | | IEC 60512-5; Test 9 a |
| MATERIALS | | |
| Gasket | | NBR |
| Locking | | 1 locking lever |
| Dielectric material | | special surface |

heavy|mate® - C146 Housings Hood

Part No. C146 10G006 500 1

Series Heavy duty connectors heavy|mate® - C 146

Subseries Heavy duty connector heavy|mate® - C146 Housings



Drawing Dimensions in mm (Inch)