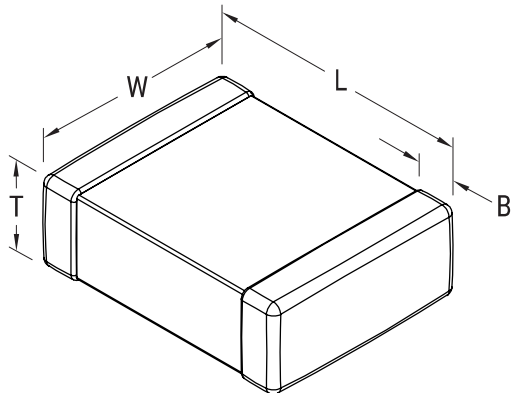


KEMET Part Number: M3253503E1B101JZMB-T&R
(C0603K101J1EML7189)

SMD MIL C0G PRF32535, Ceramic, 100 pF, 5%, 100 VDC, C0G, SMD, Low ESR, MIL-PRF-32535, N/A, 0603



Dimensions	
Chip Size	0603
L	1.6mm +/-0.15mm (0.063 in +/-0.006 in)
W	0.81mm +/-0.15mm (0.032 in +/-0.006 in)
T	0.99mm MAX (0.039 in MAX)
B	0.41mm +/-0.2mm (0.016 in +/-0.008 in)

Packaging Specifications	
Packaging:	T&R
Packaging Quantity:	4000

General Information	
Series:	SMD MIL C0G PRF32535
Style:	SMD Chip
Description:	SMD, Low ESR, MIL-PRF-32535
RoHS:	No
Prop 65:	⚠ WARNING: Cancer and reproductive harm - www.p65warnings.ca.gov .
REACH:	SVHC (Pb – CAS 7439-92-1)
Termination:	Solder Plated
Failure Rate:	N/A
Qualifications:	MIL-PRF-32535 M-Level

Specifications	
Capacitance:	100 pF
Capacitance Tolerance:	5%
Voltage DC:	100 VDC
Dielectric Withstanding Voltage:	250 VDC
Temperature Range:	-55/+125°C
Temperature Coefficient:	C0G
Dissipation Factor:	0.15% 1MHz 25C
Aging Rate:	0% Loss/Decade Hour
Insulation Resistance:	100 GOhms

Statements of suitability for certain applications are based on our knowledge of typical operating conditions for such applications, but are not intended to constitute - and we specifically disclaim - any warranty concerning suitability for a specific customer application or use. This Information is intended for use only by customers who have the requisite experience and capability to determine the correct products for their application. Any technical advice inferred from this Information or otherwise provided by us with reference to the use of our products is given gratis, and we assume no obligation or liability for the advice given or results obtained.