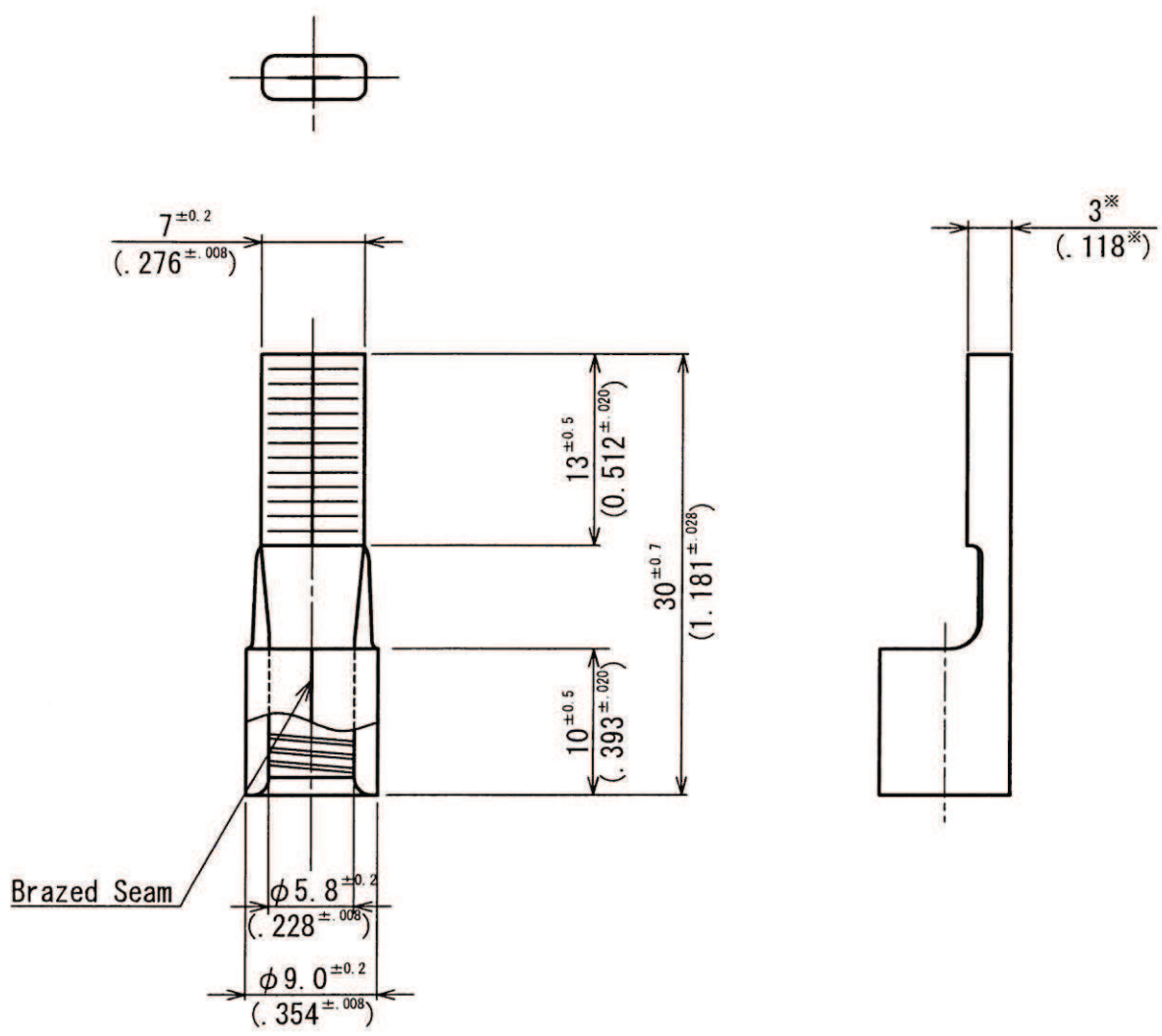


No.	Date	Revision Record	Drawn	Check
-----	------	-----------------	-------	-------



Note
 1. Inch Dimension Shown in ().
 2. ※ Reference Dimension.

		Copper	t=1.47		Tin Plated	6 AWG 10.52~16.78mm ²		
No.	Parts Name	Material	Thick	Q'ty	Treatment	Wire Size		
Messrs.				Part Number				BTC 16
Scale	Approved	Checked		Design	Drawn	Title		Non Insulated Blade Terminal
2	<i>K. Hamada</i>	<i>H. Miyata M. Nakazato S. Teramoto</i>				Drawing No.		03-00522-00
1	K. Hamada	H. Miyata	M. Nakazato	S. Teramoto	S. Teramoto	Revision No.		①
Date		2016. 06. 13			Revision No.		①	