

Description

The BRAVO Arduino shield enables the Arduino to communicate with another shield. When the compact BRAVO shield along with a BRAVO-T868 transceiver module is connected to an Arduino, data can be transferred back to another shield or another of RF Solutions' compatible products.

Resources

- BRAVO-T868 datasheet: Containing technical information including; pin description, dimensions and set-up of the BRAVO modem module.

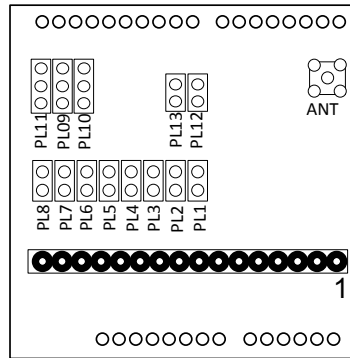
<http://www.rfsolutions.co.uk/acatalog/DS-BRAVO.pdf>

- Build Pack: Containing schematic, Gerber's, Design Spark project file and the BOM for the shield.
- Arduino Code:

Ordering Information

Supplier	Part Number
RF Solutions	BRAVO-ARD
RS Components	
Farnell	

PCB-BRAVO-ARD-1



Link	Action	Description
PL1, 8	Closed	Inputs / outputs controlled via the Arduino
	Open	Inputs / outputs disconnected from Arduino
PL 9	Closed/open/Arduino control	Watchdog option
PL 10	Closed/open/Arduino control	Momentary / latching option
PL 11	Closed/open/Arduino control	TX/RX option
PL12		External LED (pin1 cathode (-)) (pin 2 Anode(+)) For the LED to work fit a 360R > 560R resistor to R1
PL13		Is for an external 0V LRN button

Examples for PL9 – 11 operation

PL9: (TX mode = Arduino Output) (RX mode = Arduino Input)

Pins 1, 2 closed = (LOW) watchdog ENABLED
 Pins 1, 2 open = (HIGH) watchdog DISABLED
 Pins 2, 3 closed = controlled via Arduino

PL10:

Pins 1, 2 closed = (LOW) Receiver mode
 Pins 1, 2 open = (HIGH) Transmitter mode
 Pins 2, 3 closed = controlled via Arduino

PL11: (RX mode only)

Pins 1, 2 Closed = (LOW) all outputs latching
 Pins 1, 2 Open = (HIGH) all outputs momentary

RF Solutions Ltd. Recycling Notice

Meets the following EC Directives:



DO NOT

Discard with normal waste, please recycle.

ROHS Directive 2002/95/EC

Specifies certain limits for hazardous substances.



WEEE Directive 2002/96/EC

Waste electrical & electronic equipment. This product must be disposed of through a licensed WEEE collection point. RF Solutions Ltd., fulfils its WEEE obligations by membership of an approved compliance scheme.

Waste Batteries and Accumulators Directive 2006/66/EC

Where batteries are fitted, before recycling the product, the batteries must be removed and disposed of at a licensed collection point.

Environment Agency producer registration number: WEE/JB0104WV.

