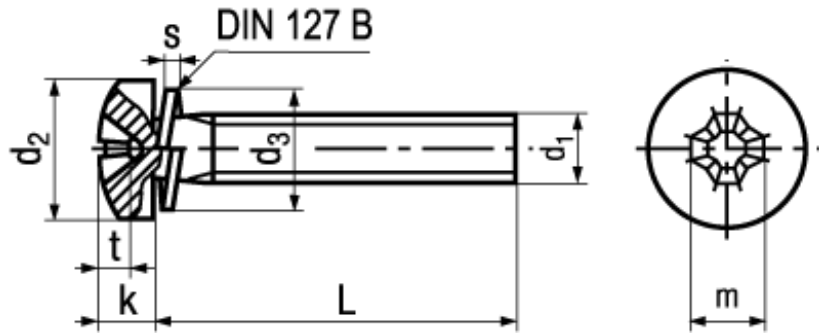



Standard withdrawn



<b>BN 1720</b>
<b>Phillips pan head assembled (SEMs) screws</b>
form H, with captive spring lock washer DIN 127 B
Steel 4.8
zinc plated blue
<ul style="list-style-type: none"> <li>Helical spring: spring steel</li> </ul>

**!** ISO 4042  
 Fasteners hardness  $\geq 320$  HV with electroplated coatings:  
 Susceptible to hydrogen embrittlement!  
 Further notice to residual risks can be found in the introduction section.

**i** Availability of other screw and washer variations on request.

Article#	d <sub>1</sub>	d <sub>2</sub>	k		t min.	t max.	m~	d <sub>3</sub> max.	s ±0,1	L
3654738	M2,5	5	2,12	1	1,3	1,6	2,7	5,1	0,6	5
3654739										6
3654740										8
3654741										10
3654743										12
3056353	M3	6	2,52	1	1,7	2	3,1	6,2	0,8	5
1370235										6
1370243										8
1370251										10
3056338										12
3056339	M4	8	3,25	2	2,04	2,54	4,6	7,6	0,9	6
1370278										8
1370286										10
1370294										12
3056340										16
3654744	M5	10	3,95	2	2,77	3,27	5,3	9,2	1,2	8
3654745										10
3654746										12
3654748										16
3654749										20