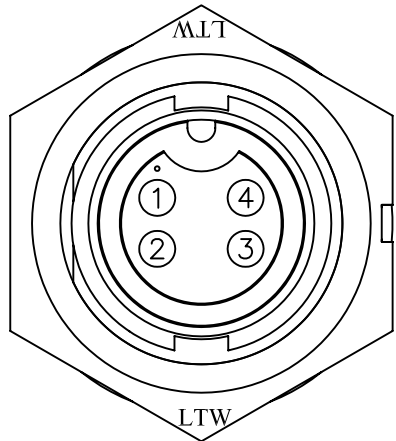
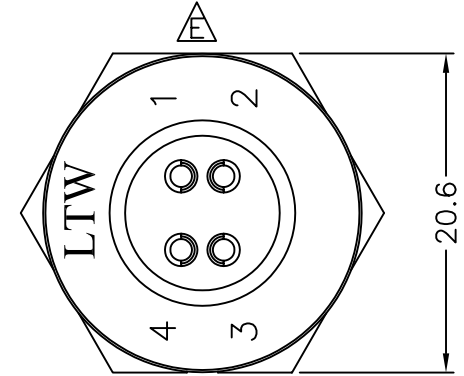
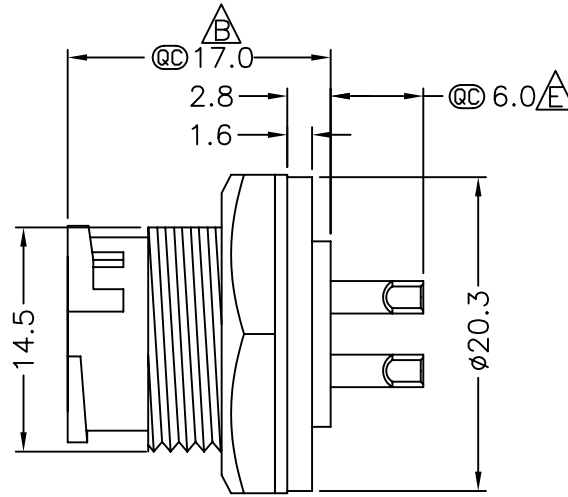
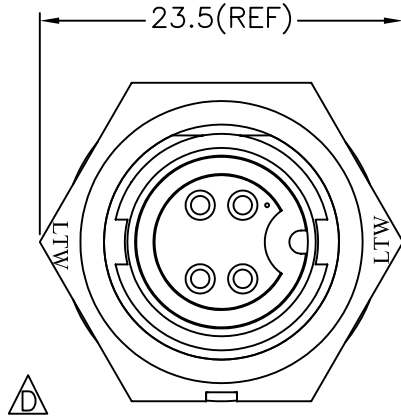
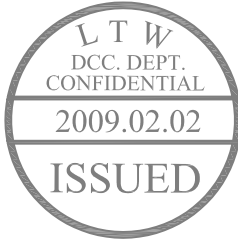
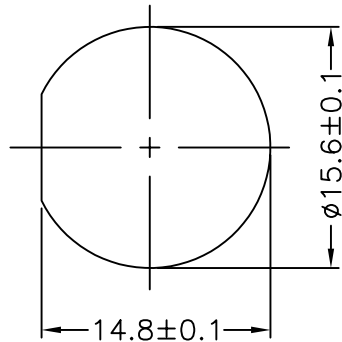


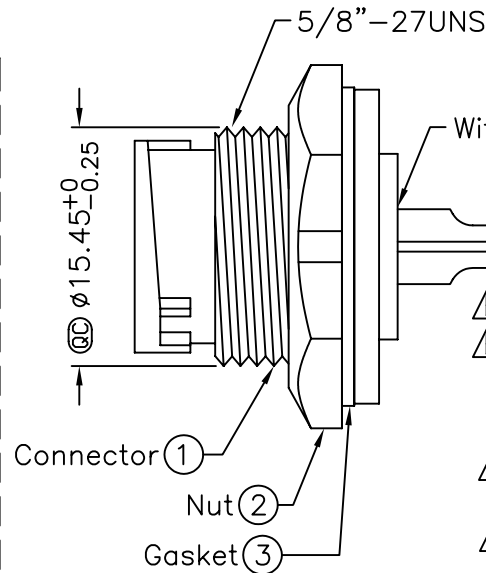
REV. C	ECN NO.	DATE 2008/09/19	SIGN Shin	DESCRIPTION Add Note
D	LE3-8C0100	2008/11/07	TOMMY	Change To Pin Hole
E	LEN-910255	2009/01/15	TOMMY	CHANGE PIN DIMENSION



Pin Assignments
Front View



Recommended Panel Cut-Out



With Liquid Glue

Note:

- * @C Important Dimension To Check.
- * Waterproof Rate: IP67
- * Connector: Black, Nylon+GF
- * Female Pin: Copper Alloy, Gold Plated
- * Nut: Black, Nylon+GF
- * Gasket: Black, EPDM
- * Use with waterproof cap or dust cap
Panel Thickness Max: 3.0mm
- * Use without waterproof cap or dust cap
Panel Thickness Max: 4.5mm

UNIT:mm	
TOLERANCE	
.X	±0.25
.XX	±0.1
.XXX	±0.05
ANGLES	±1°

TITLE		Standard	
Panel Lock 4Pin M Conn. F Pin			
SCALE	Free	SHEET	1 OF 1
REV. E	SIZE A4	@C : Inspection Item	

LTW
亮泰企業股份有限公司

ITEM NO	LTWBD-04PMFS-LC7001
DWG NO	LTWBD-04PMFS-LC7001
CUSTOMER	

DRAWN BY	TOMMY
CHECKED BY	IVAN
APPROVED BY	LUKE

DATE	2009/01/15
DATE	2009/01/15
DATE	2009/01/15

THIS DOCUMENT IS SUBJECT TO CHANGE WITHOUT NOTICE. IT IS CONFIDENTIAL AND A PROPERTY OF LTW. DISCLOSURE TO THIRD PARTY HAS TO BE AUTHORIZED BY LTW.

A B C D E F