

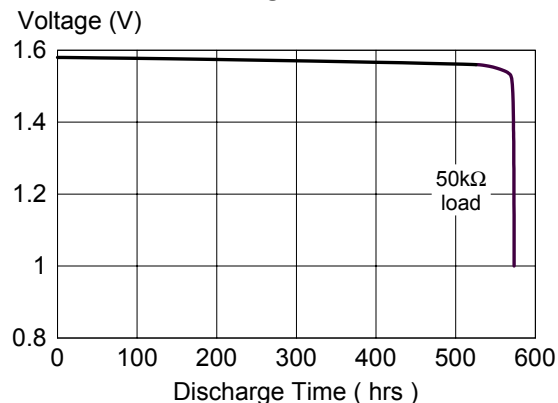
# GP Batteries

## Data Sheet

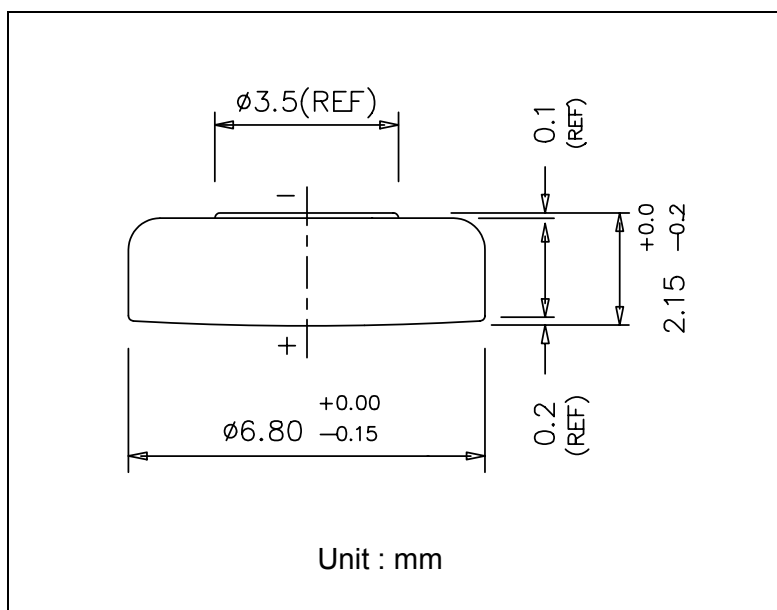
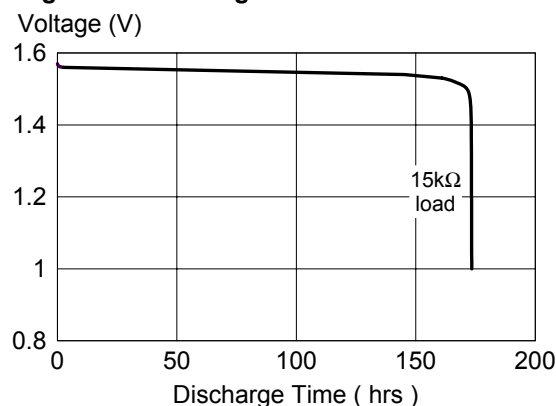
Model No.: GP364

Type	: Silver Oxide Low Drain Button Cell				
Chemical System	: Zinc / Silver Oxide				
Nominal Voltage	: 1.55V				
Nominal Dimension	: $\varnothing$ 6.8 X 2.15mm				
Applications	: Analog watch				
Average Weight	: 0.35g				
Date Code	: Unless otherwise specified, each cell will carry a numeric year code and an alphabetical month code				
Shelf Life	: Not less than 90% of service capacity for 1 year storage at 20°C				
Close Circuit Voltage	: 1.25V (min.) (load resistor 200 $\Omega$ at 20°C for 1 to 2 seconds)				
Nominal Service Life (to 1.2V at 20°C)	: 172 hrs (at 15k $\Omega$ load) 575 hrs (at 50k $\Omega$ load)				
Average Service Capacity (to 1.2V at 20°C)	: 18 mAh (at 50k $\Omega$ load)				
Cross Reference	:				
IEC	JIS	RENATA EVEREADY	VARTA	DURACELL	PANASONIC
SR60	SR621SW	364	V364	D364	SP364

### Normal Rate Discharge



### High Rate Discharge



\* The information (subject to change without prior notice) contained in this document is for reference only and should not be used as a basis for product guarantee or warranty. For applications other than those described here, please consult your nearest GP Sales and Marketing Office or Distributors.

