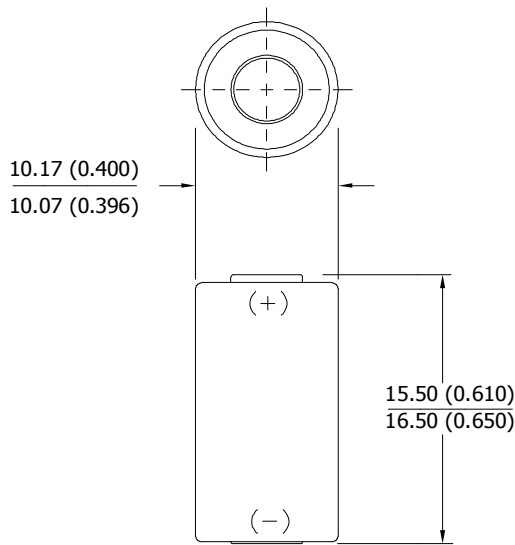


ENERGIZER A11

Miniature Alkaline



Industry Standard Dimensions



Specifications

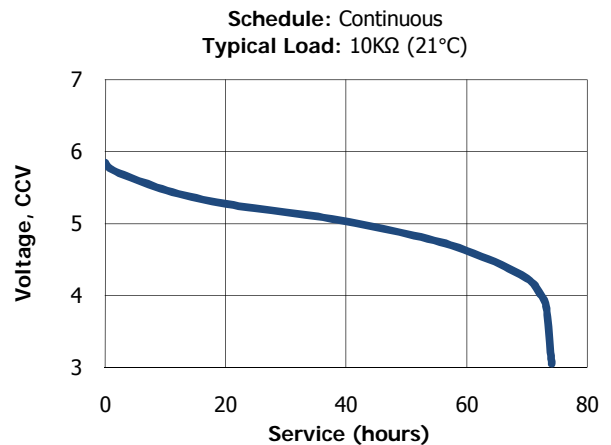
Classification:	"Miniature Alkaline"
Chemical System:	Manganese Dioxide (MnO ₂)
Designation:	N/A
Nominal Voltage:	6.0 volts
Typical Capacity:	38 mAh to 3.0 volts (rated at 10k ohms at 21°C)
Typical Weight:	4.0 grams
Jacket:	Metal

Typical Discharge Durations

21°C

Schedule (time)	Drain (mA)	Load (ohms)	Cutoff Voltage		
			5.6V (hours)	4.8V (hours)	3.0V (hours)
Continuous	0.5	10K	5.6	56	74

Discharge Characteristics



Important Notice

This datasheet contains typical information specific to products manufactured at the time of its publication.
©Energizer Holdings, Inc. - Contents herein do not constitute a warranty.