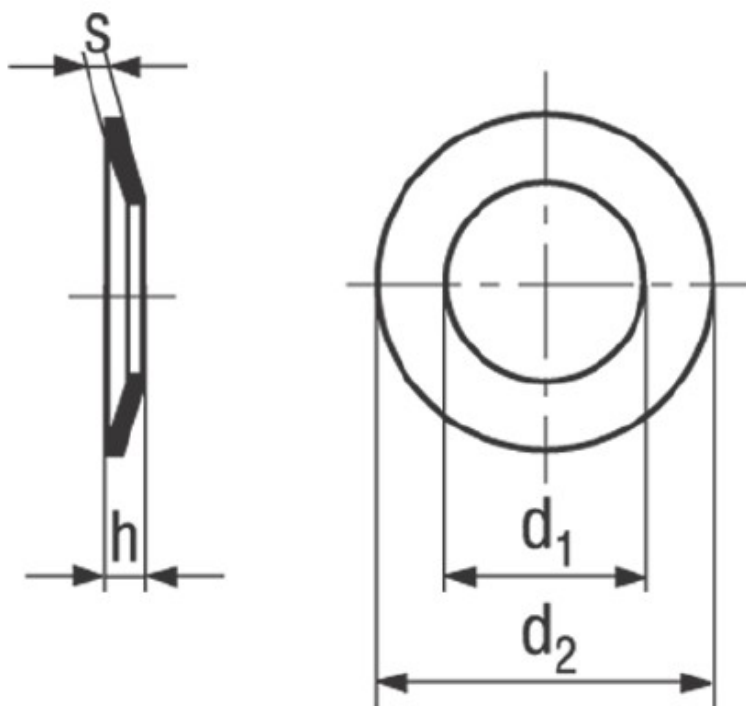


BN 1374 - DIN 6796

Conical spring washers
for fastening joints

DIN 6796
~UNI 8836



Material	Spring steel	Hardness	420-510 HV
Surface	phosphated		

Article No. - 1144960

for thread	M8
d_1	8,4
d_2	18
h min.	2,24
h max.	2,6
s	2