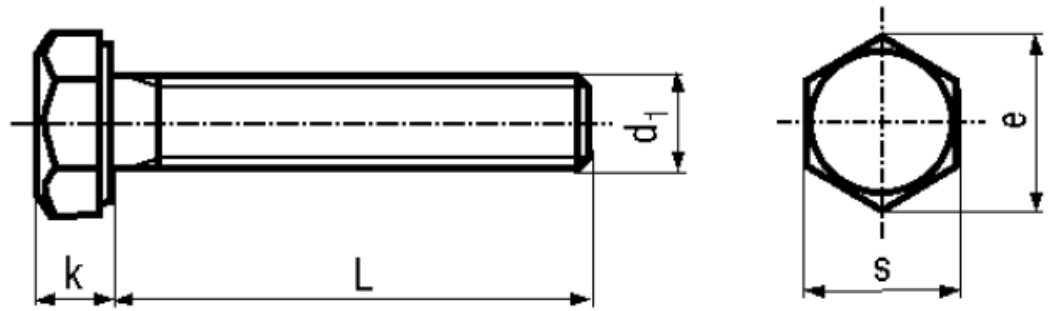


## BN 622

Hexagon head screws  
fully threaded

DIN 933  
ISO 4017  
~UNI 5739



Material	<b>Stainless steel</b>	Quality	<b>A2</b>
----------	------------------------	---------	-----------

### Article No. - 1238043

d <sub>1</sub>	M8
L	16
e	14,38
k	5,3
s	13

DIN 933: Standard withdrawn

Hex cap locking screws eco-fix®: BN 5951

WAF's according to ISO on request.

The current property class on the market is class 70 in A2-70 / A4-70 (tensile strenght 700 N/mm<sup>2</sup>).