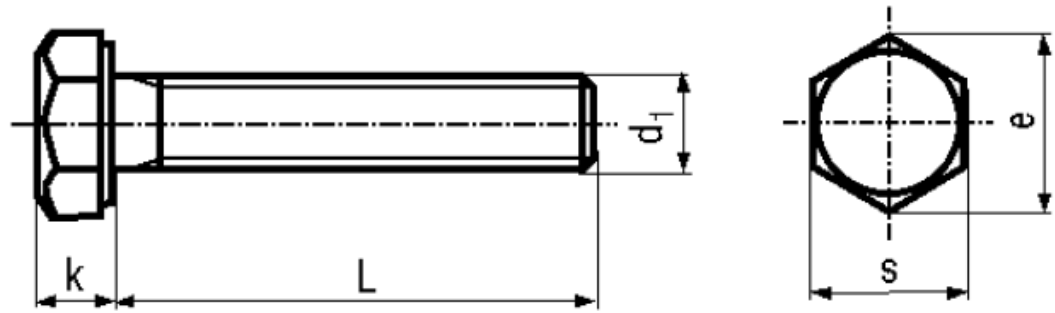


BN 622

Hexagon head screws
fully threaded

DIN 933
ISO 4017
~UNI 5739



| | | | |
|----------|------------------------|---------|-----------|
| Material | Stainless steel | Quality | A2 |
|----------|------------------------|---------|-----------|

Article No. - 1238027

| | |
|----------------|-------|
| d ₁ | M8 |
| L | 12 |
| e | 14,38 |
| k | 5,3 |
| s | 13 |

DIN 933: Standard withdrawn

Hex cap locking screws eco-fix®: BN 5951

WAF's according to ISO on request.

The current property class on the market is class 70 in A2-70 / A4-70 (tensile strenght 700 N/mm²).