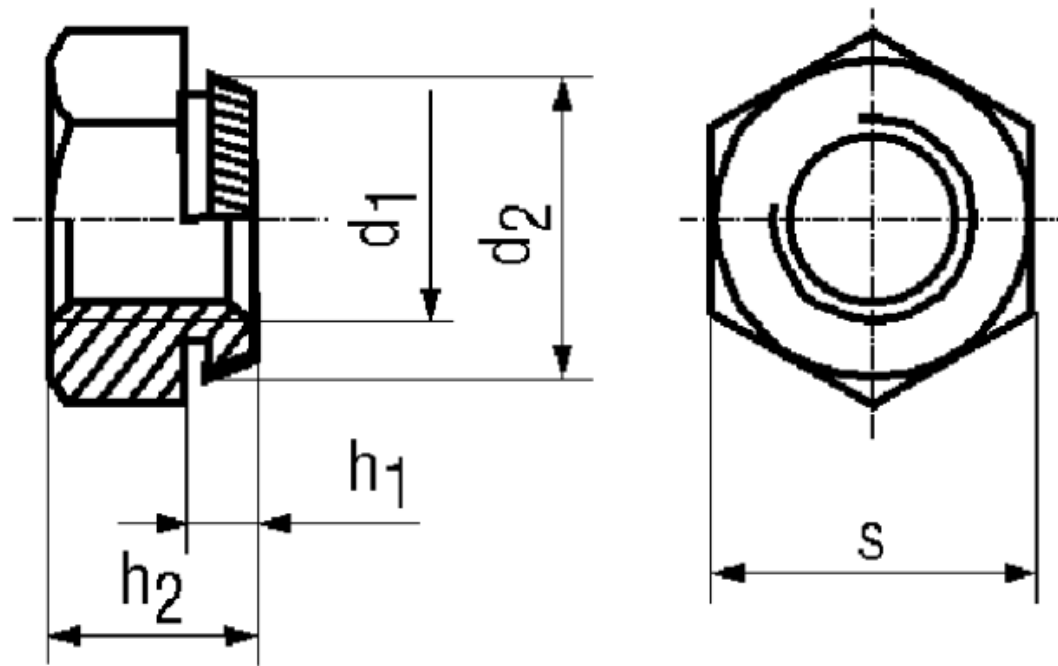


BN 201

Hexagon self clinching nuts
case hardened



Material	Steel	Hardness	550 HV
Surface	zinc plated blue		

Article No. - 1098519

d ₁	M8
h ₁	1,8
Hole size	10
d ₂	10,35
Sheet thicknes min.	2
h ₂	6,5
s	13
Distance to edge	9,5

Note: Collar height (dimension h₁) available for thicker plates on request.