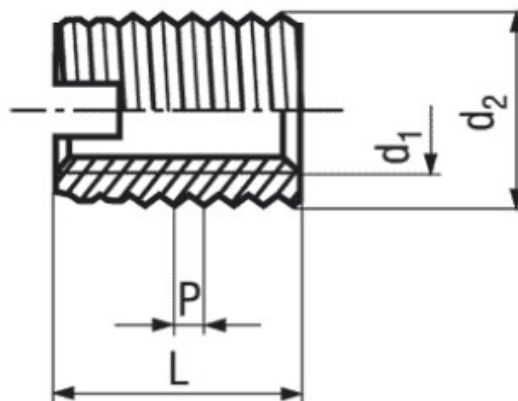


BN 902

Self cutting threaded inserts



Trade mark	Ensats®	Material	Steel case-hardened
Type	302	Surface	zinc plated yellow

Article No. - 1088424	
d_1	M6
P	1,5
d_2	10
L	14

Setting tools: BN 1181 / BN 1182