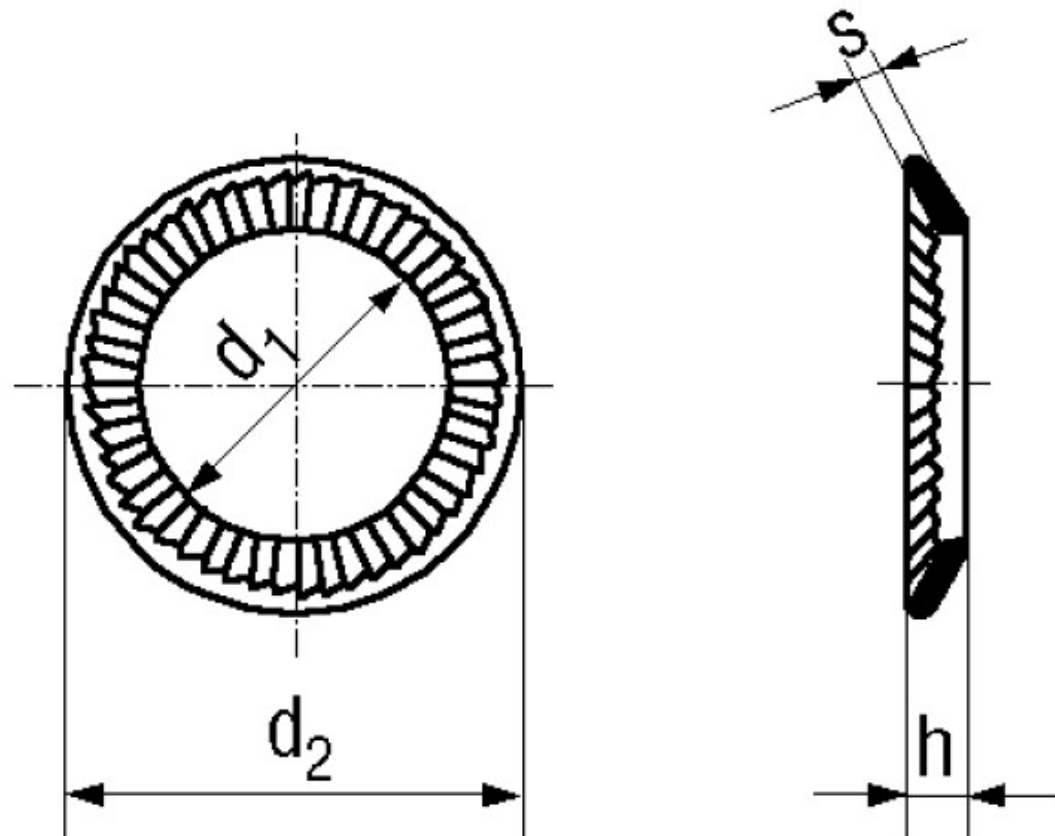


BN 791

Ribbed lock washers



Material	Spring steel	Hardness	420-510 HV
Surface	black		

Article No. - 1279661	
for thread	M6
d ₁	6,4
d ₂	10
s	0,7
h max.	1,2

M5; M14: At manufacturer's option.