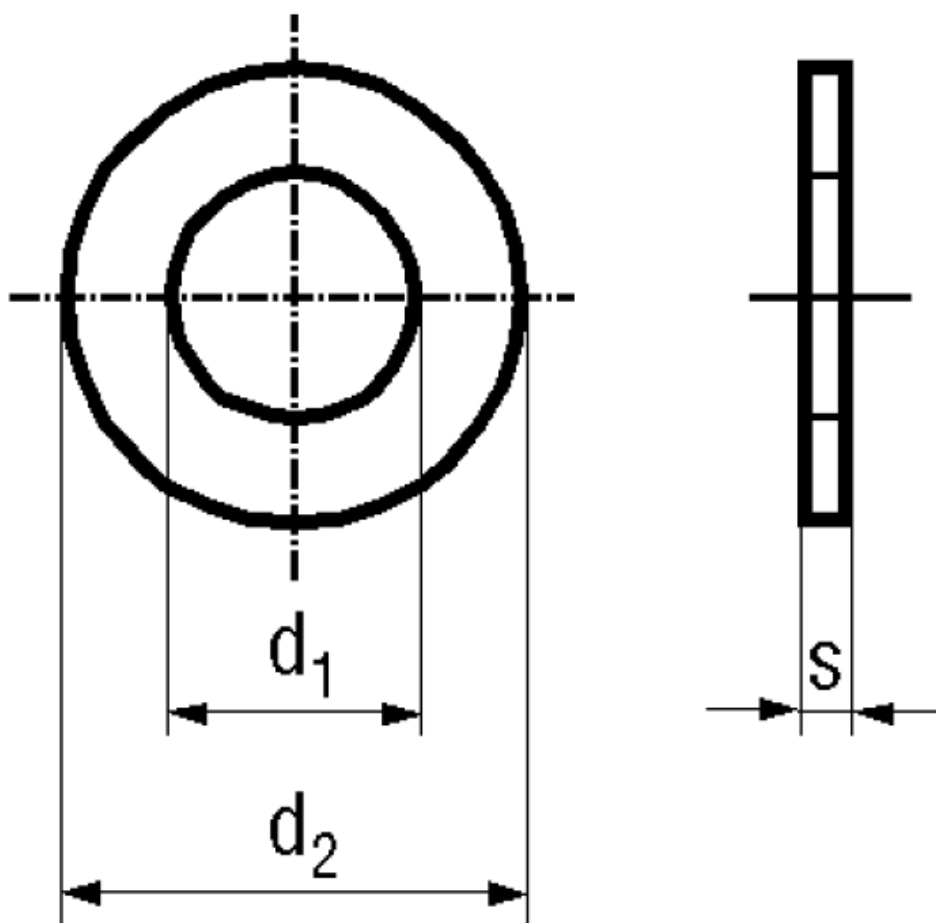


BN 717 - DIN 125 A - ~ISO 7089

Flat washers
without chamfer

DIN 125 A
~ISO 7089
VSM 13904
~UNI 6592



Material	Steel	Hardness grade	140 HV
Surface	zinc plated yellow		

Article No. - 1302981

for thread	M6
d_1	6,4
d_2	12
s	1,6