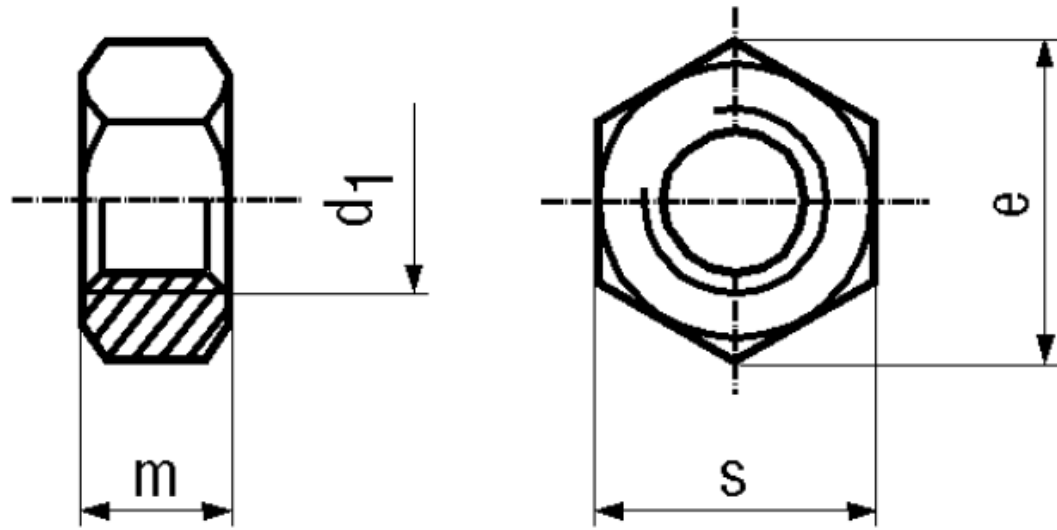


## BN 117 - DIN 934 - ~ISO 4032

Hexagon nuts ~0,8d

DIN 934  
~ISO 4032  
~UNI 5588



Material	Steel	Quality	cl. 8
Surface	zinc plated blue		

### Article No. - 1874748

$d_1$	M6
e min.	11,05
s	10
m max.	5

DIN 934: Standard withdrawn  
M10, M12, M14, M22: Wrench size according to ISO 272.