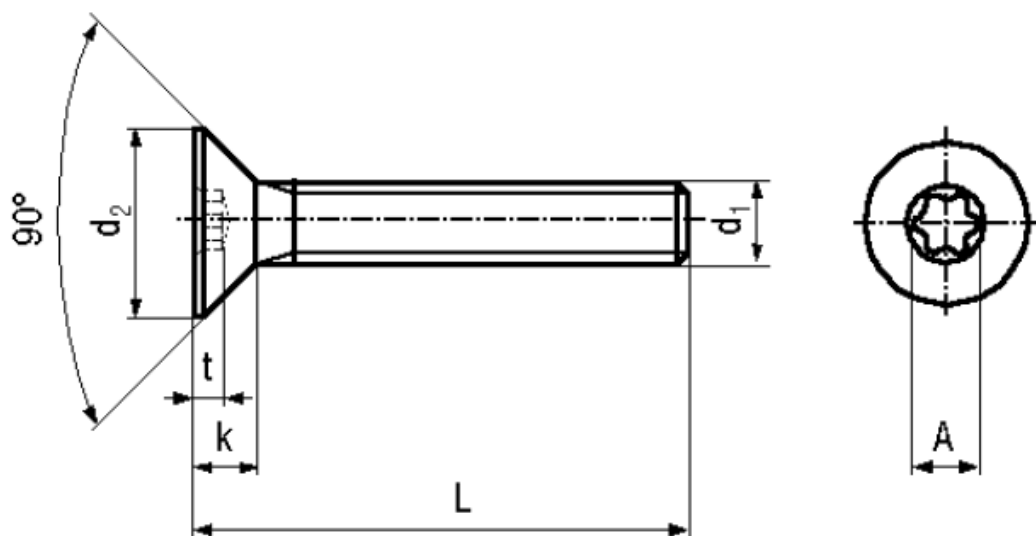


BN 3803

Hexalobular socket flat countersunk
head screws
fully threaded

ISO 14581



Material	Stainless steel	Quality	A2
----------	------------------------	---------	-----------

Article No. - 3061715	
d ₁	M6
L	16
d ₂ max.	11,3
k max.	3,3
c	X30
t max.	1,78
A~	5,6

ISO 14581: Draft standard

Screwdriver Bits 1/4" and hexagon socket keys: BN 31518, BN 20007 and BN 14056 / CG 1.