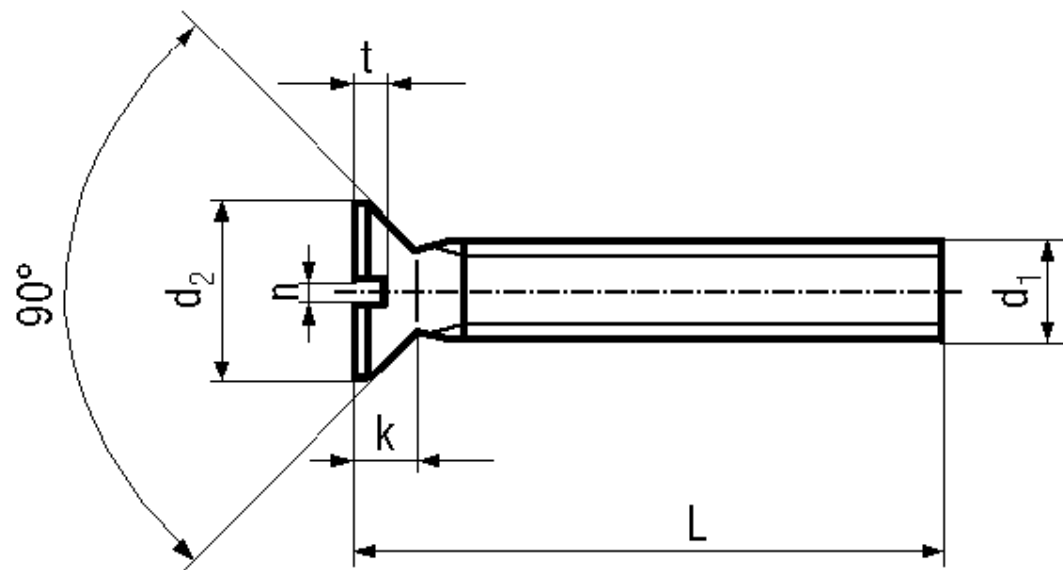


BN 654

Slotted flat countersunk head screws

DIN 963 A
~ISO 2009
~UNI 6109



Material Quality

Article No. - 1247034

d ₁	M6
L	10
d ₂	11
k max.	
n	1,6
t min.	1,2

DIN 963: Standard withdrawn

All lengths fully threaded.

Slotted flat countersunk head screws with small head VSM 13328: BN 658