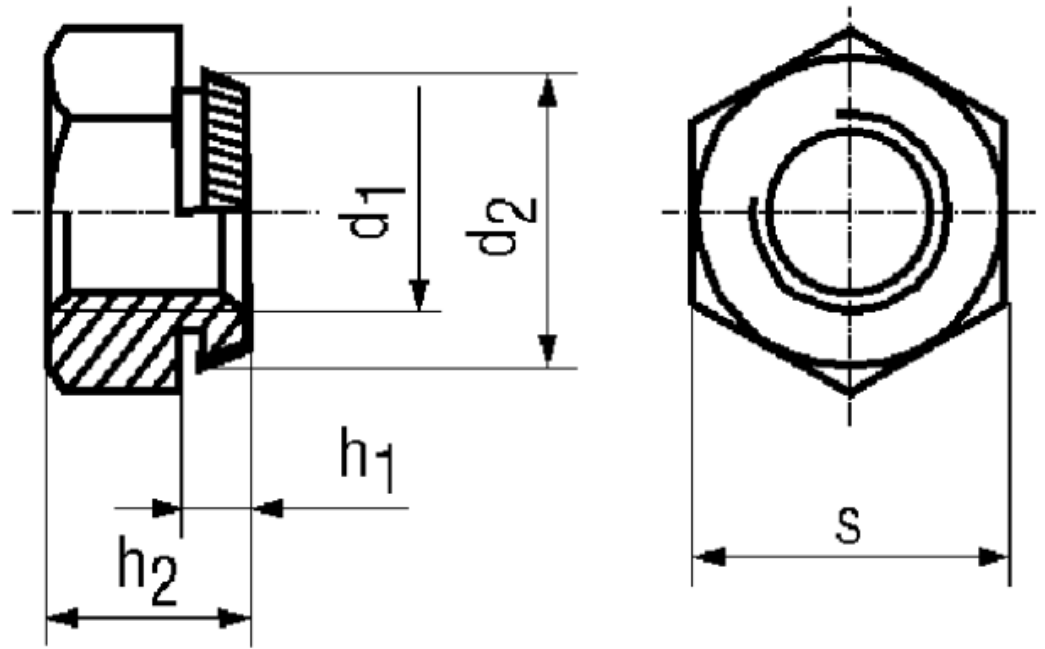


BN 201

Hexagon self clinching nuts
case hardened



Material	Steel	Hardness	550 HV
Surface	zinc plated blue		

Article No. - 1002236

d_1	M6
h_1	1,8
Hole size	8
d_2	8,25
Sheet thicknes min.	2
h_2	5
s	10
Distance to edge	8,7

Note: Collar height (dimension h_1) available for thicker plates on request.