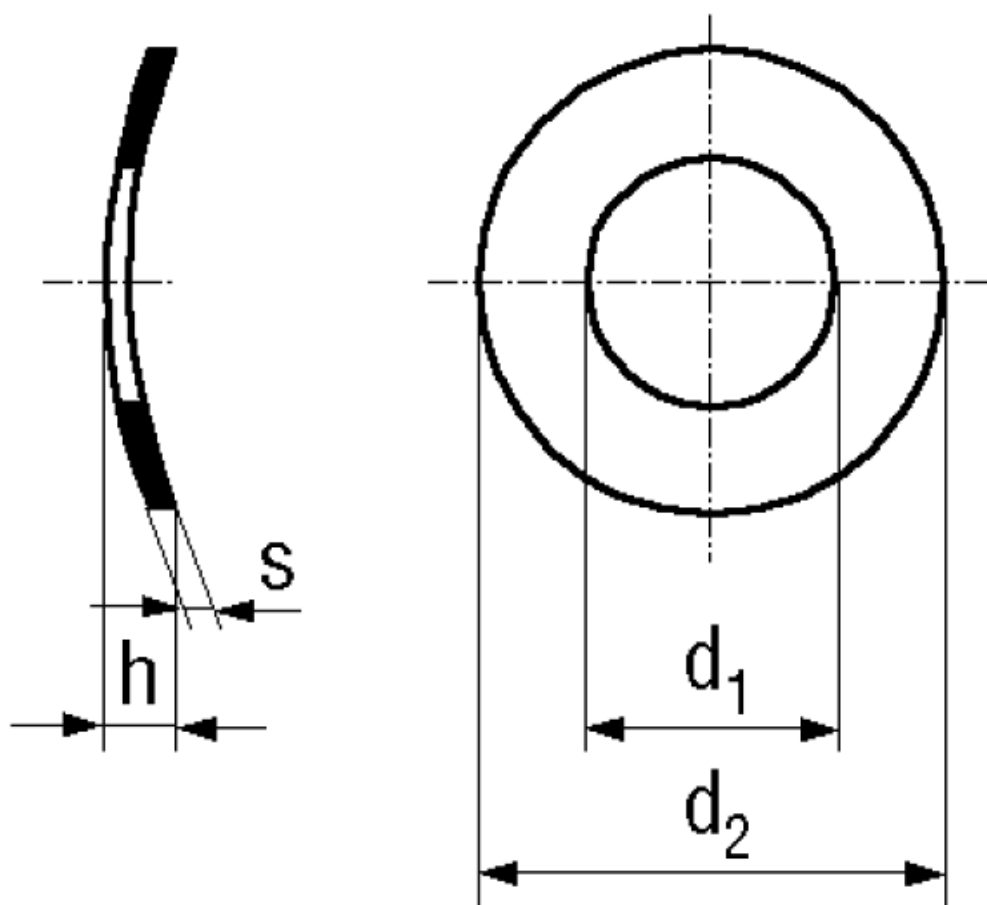


## BN 677 - DIN 137 A

Curved spring washers

DIN 137 A  
~UNI 8840 A



Material	Stainless steel	Quality	A2 / 1.4310
----------	-----------------	---------	-------------

### Article No. - 1250159

for thread	M5
$d_1$	5,3
$d_2$	10
h min.	0,9
s	0,5

Form A is no longer in force. We recommend DIN 137 B for new constructions.  
Material: at manufacturer's option.