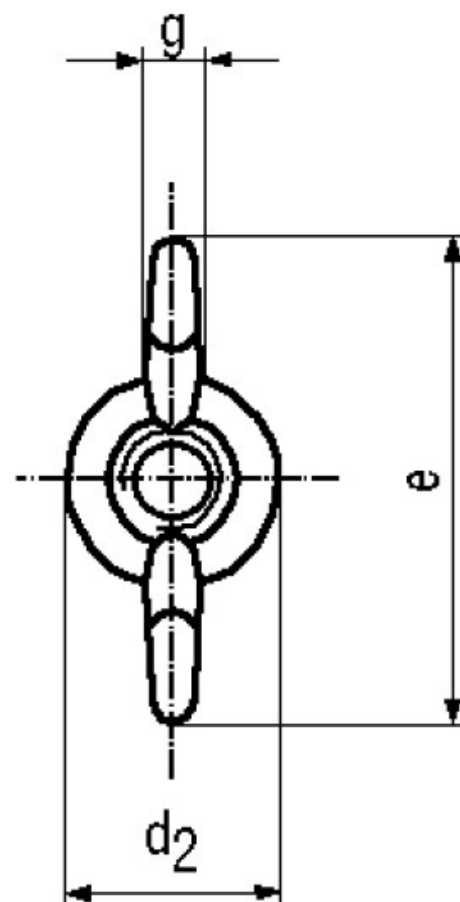
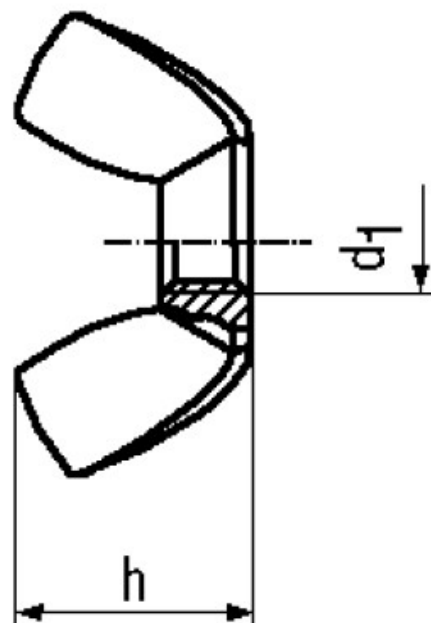


BN 644

Wing nuts
cold formed

-UNI 5448 A



Material	Stainless steel	Quality	A2
----------	-----------------	---------	----

Article No. - 1242806

d_1	M5
e max.	23
h max.	12
d_2 ~	10
g~	2,4