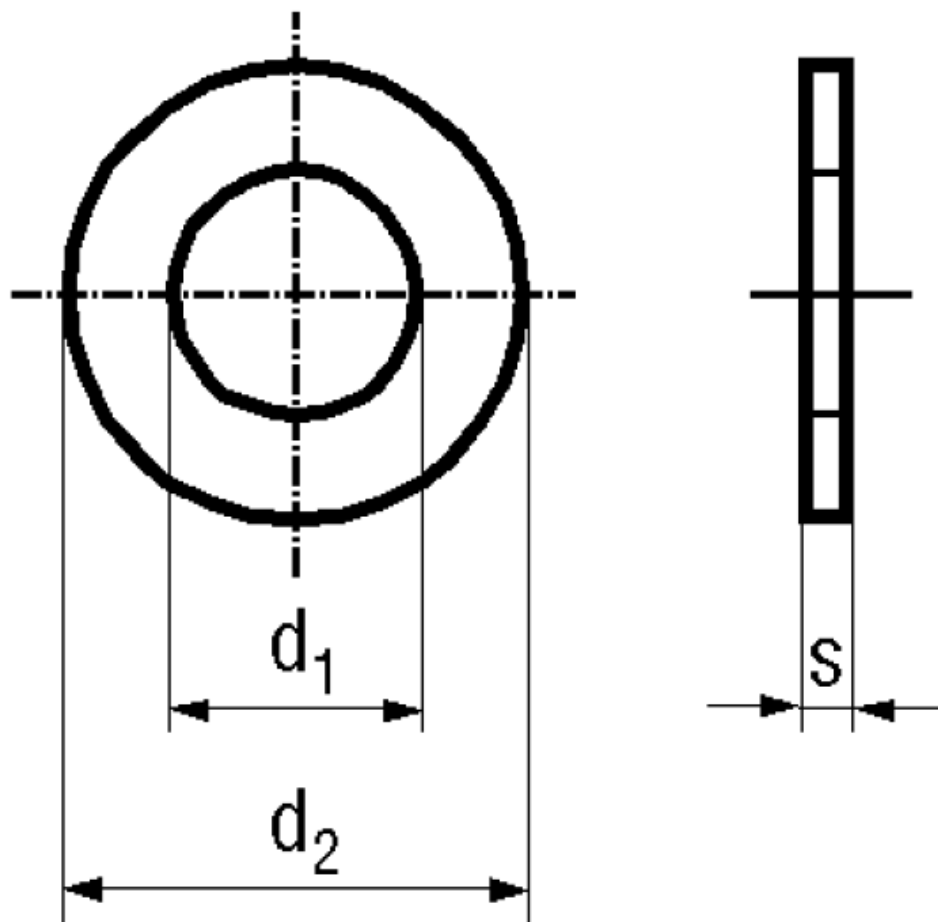


BN 561 - DIN 125 A-1 - ~ISO 7089

Flat washers
without chamfer

DIN 125 A-1
~ISO 7089
~UNI 6592



Material Surface

Article No. - 1215957	
fit for	M5
d_1	5,3
d_2	10
s	1

DIN 125: Standard withdrawn

M4,5: Not included in DIN 125, ISO 7089 and VSM 13904.

M2,2: Not included in DIN 125 and ISO 7089.

M1,7; M2,6; M7: Not included in ISO 7089.