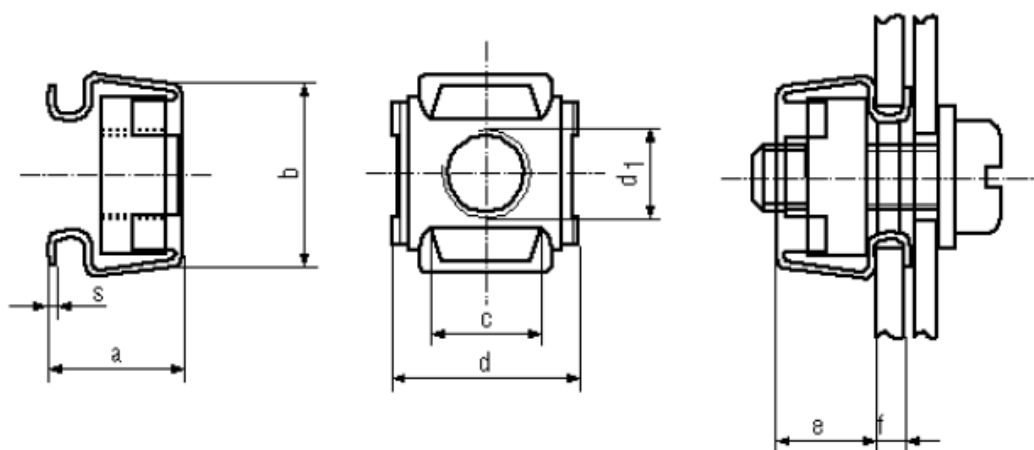


BN 3307

Cage nuts



Material	Steel (cage stainless steel)	Surface	zinc plated blue (nut)
----------	---------------------------------	---------	---------------------------

Article No. - 1538292

Article No. - 1538292	
d ₁	M5
f	0,7-1,6
a	9
b	12
c	8
d	13,2
s	0,45
e	6,2
g	9,5