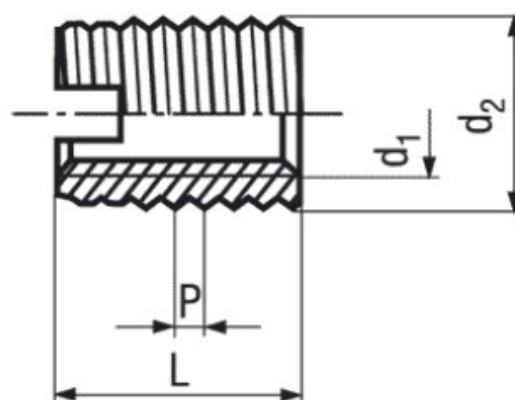


BN 2708

Self cutting threaded inserts



Trade mark	Ensats®	Material	Stainless steel
Type	302	Quality	A1

Article No. - 1472275	
d_1	M5
P	1
d_2	8
L	10

Insertion tools for Ensats®: CG3